

DPS2100X

DIFFERENTIAL PRESSURE SWITCH-EXPLOSION PROOF

DPS2100X

Explosion Proof Type / Protection: IP68

Proof Pressure to 1000psi

Adjustable Ranges: 3~300psi

Temperature: -30 to 205°C

[When the operating temperature exceeds 120°C, a cooling element (New-Flow's CF or CT series) must be installed!]

The New-Flow DPS2100X, an explosion proof differential pressure switch, is designed to be used in control systems. DPS2100X has high set point repeatability and narrow dead band features. A variety of range selections are available upon request. Easily adjusted to the set point, no special tools needed!

Technical Data

Switch Data: one SPDT & two SPDT Microswitch, 15amps 125/250VAC, DC 125V 0.4A, DC 30V 3A, / Gold Contact Microswitch 1A 125/250VAC, / Hermetically Sealed Switch 5A/250VAC

Housing: die cast aluminum alloy with paint, and SS316 available

Conduit Connection: Female 3/4", 1/2"NPT, M20 x P1.5 available

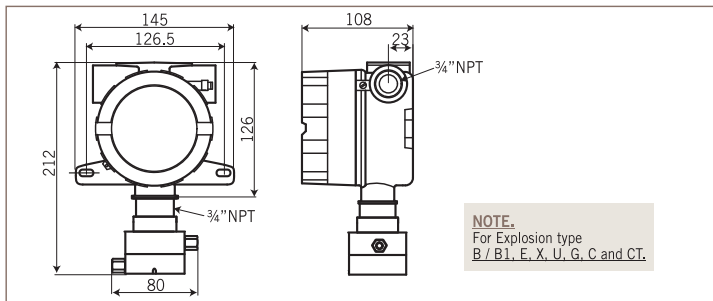
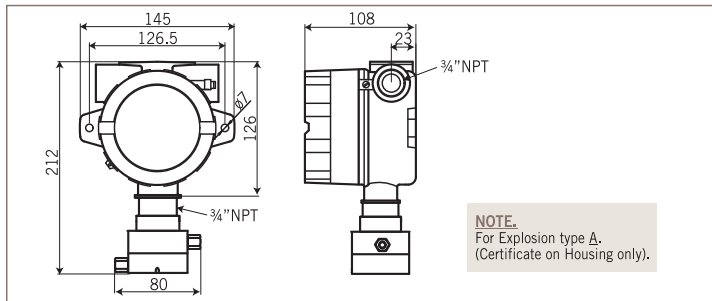
Pressure Element: welded type diaphragm

Process Materials: wetted parts are all in SS316/SS316L

Process Connection: Female 1/2" or 1/4"NPT, BSP, PT; and M20 x P1.5 thread available

Repeatability: ±2% of full scale

Dimensions-mm



NOTE:
For Explosion type A.
(Certificate on Housing only).

NOTE:
For Explosion type B / B1, E, X, U, G, C and CT.

Approvals:



TD0400TJ
工電(2012)第00320號
(ITR1)2017第07-00075號



Switches with UL & CSA Recognized and File No. E12252.

Patent No.

M450724
China: 2976852



Range Selection Table

Code	Adjustable Range	Dead Band	Maximum Pressure Proof
10R	3~28 psi	0.15~1.4 psi	1000 psi
20R	7~100 psi	0.35~5 psi	1000 psi
30R	35~200 psi	1.75~10 psi	1000 psi
40R	50~300 psi	2.5~20 psi	1000 psi

Ordering Information

DPS2100X	Code	Range						
	10R	3~28 psi	20R	7~100 psi	30R	35~200 psi	40R	50~300 psi
	Code	Wetted Parts Material						
	A	SS316 / SS316L						
	Code	Process Connection- Female						
		(1) 1/2"NPT (2) 1/4"NPT (3) 1/2"BSP (4) 1/4"BSP (5) 1/2"PT (6) 1/4"PT (7) M20 x P1.5						
	Code	Conduit Connection						
		(E) 3/4"NPT Female, standard (F) 1/2"NPT Female (G) M20 x P1.5 Female						
	Code	Switch Form						
	1	Micro Switch, 1 SPDT	2	Micro Switch, 2 SPDT (one setting point)				
	3a	Gold Contact, 1 SPDT	3b	Gold Contact, 2 SPDT (one setting point)				
	4a	Hermetically Switch, 1 SPDT	4b	Hermetically Switch, 2 SPDT (one setting point)				
	Code	Explosion Proof Type / Housing Material						
	A	Certificate on Housing Only (FM Approval) / Aluminum alloy: Class I, Groups A, B, C & D; Class II, Groups E, F & G; Class III; NEMA 4X						
	B / B1	Taiwan Explosion Proof Certification / (B) Aluminum alloy (B1) SS316: Ex d IIB + H2 T6 Gb						
	E	International IECEx Certification / Aluminum alloy: Ex db IIB + H2 T6 Gb; Ex tb IIIC T85°C Db						
	X	Europe Union ATEX Certification / Aluminum alloy: II 2 G D Ex db IIB + H2 T6 Gb Ex tb IIIC T85°C Db						
	U	UL Certification / Aluminum alloy: Class I, Division 1, Groups A, B, C & D; Class II, Division 1, Groups E, F & G						
	G	China Explosion Proof Certification / Aluminum alloy: Ex d IIB + H2 T6 Gb; Ex tD A21 IP6X T85°C						
	C	International IECEx Certification & Europe Union ATEX Certification / Aluminum alloy: IECEx & ATEX (Ex II 2 G D) Certificate Ex db IIC T6...T5 Gb T6 (-20°C ≤ Ta ≤ +55°C) T5 (-20°C ≤ Ta ≤ +60°C) Ex tb IIIC T80°C...T88°C Db T80°C (-20°C ≤ Ta ≤ +55°C) T88°C (-20°C ≤ Ta ≤ +60°C)						
	CT	Taiwan Explosion Proof Certification / Aluminum alloy Ex db IIC T6...T5 Gb T6 (-20°C ≤ Ta ≤ +55°C) T5 (-20°C ≤ Ta ≤ +60°C) Ex tb IIIC T80°C...T88°C Db T80°C (-20°C ≤ Ta ≤ +55°C) T88°C (-20°C ≤ Ta ≤ +60°C)						
DPS2100X								Complete Ordering Code

WWW.NEW-FLOW.COM • TEL: 886-7-8135500 • FAX: 886-7-8225588 • Email: info@new-flow.com

P019

01Jan2023