

DIFFERENTIAL PRESSURE SWITCH, IP66

DPS2100W

Protection: IP66
Proof Pressure to 1000 psi
Adjustable Ranges: 3~500 psi
Temperature: -30 to 205°C

The New-Flow DPS2100W, a water proof differential pressure switch, is designed to be used in control systems. DPS2100W has high set point repeatability and narrow dead band features. A variety of range selections are available upon request. Easily adjusted to the set point, no special tools needed!

Technical Data

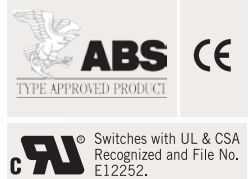
Switch Data: one SPDT & two SPDT Microswitch, 15amps 125/250VAC, DC 125V 0.4A, DC 30V 3A / Gold Contact Microswitch 1A 125/250VAC
Housing: die cast aluminum alloy with paint
Conduit Connection: Female 3/4", 1/2"NPT, M20 x P1.5 available
Pressure Element: welded type diaphragm
Process Material: Wetted parts are all in SS316
Process Connection: Female 1/2" or 1/4" NPT, BSP, PT; and M20xP1.5 thread available



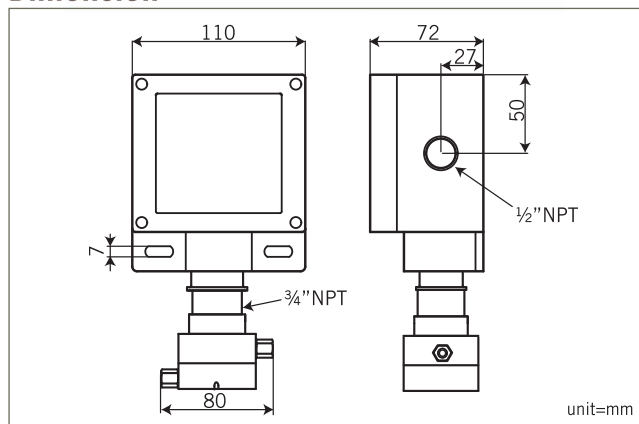
Patent No.

M450724
 China: 2976852

Approvals:



Dimension



Range Selection Table

| Code | Adjustable Range | Dead Band | Maximum Pressure Proof |
|------|------------------|--------------|------------------------|
| 10R | 3~28 psi | 0.15~1.4 psi | 1000 psi |
| 20R | 7~100 psi | 0.35~5 psi | 1000 psi |
| 30R | 35~200 psi | 1.75~10 psi | 1000 psi |
| 40R | 50~500 psi | 2.5~25 psi | 1000 psi |

Ordering Information

| DPS2100W | Code | Range | | | | |
|-----------------|-------------|--|----------------------|-----------------------|-----------------------|-------------------------------|
| | | 10R 3~28 psi | 20R 7~100 psi | 30R 35~200 psi | 40R 50~500 psi | |
| | Code | Wetted Parts Material | | | | |
| | A | SS316 | | | | |
| | Code | Process Connection- Female | | | | |
| | | (1) 1/2"NPT (2) 1/4"NPT, Standard (3) 1/2"BSP (4) 1/4"BSP (5) 1/2"PT (6) 1/4"PT (7) M20 x P1.5 | | | | |
| | Code | Conduit Connection | | | | |
| | | (E) 3/4"NPT Female (F) 1/2"NPT Female, standard (G) M20 x P1.5 Female | | | | |
| | Code | Switch Form | | | | |
| | 1 | Micro Switch, 1 SPDT | | | | |
| | 2 | Micro Switch, 2 SPDT (one setting point) | | | | |
| | 3a | Gold Contact, 1 SPDT | | | | |
| | 3b | Gold Contact, 2 SPDT (one setting point) | | | | |
| DPS2100W | | | | | | Complete Ordering Code |