

DIFFERENTIAL PRESSURE SWITCH EXPLOSION PROOF TYPE DPS2000X

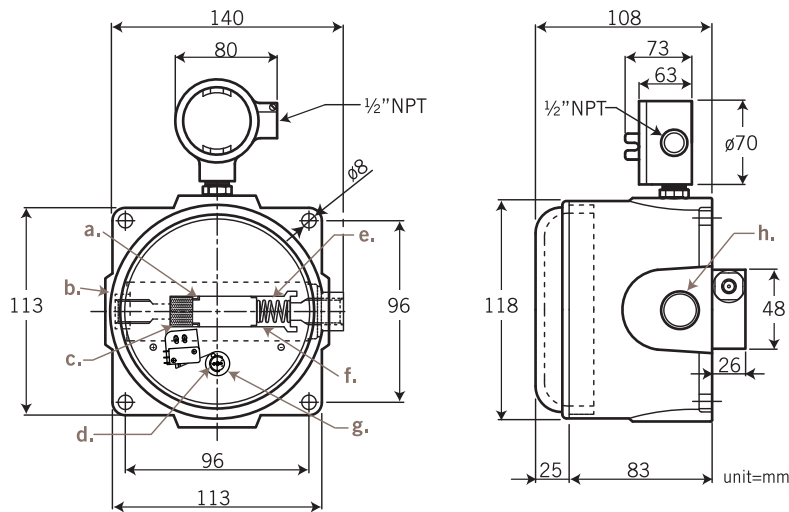
Combine With Switch Available
Weather Proof, Piston Type
CLASS I, GROUPS B, C, D;
CLASS II, GROUPS E, F, G; NEMA 4X
Range Available: 0-0.6-14 kg/cm² (0-9-200psi)

DPS2000X consist of high and low pressure ports. Spring magnet couple with pointer. Differential pressure switch due to ΔP pressure of high side and low side be made from magnet couple combine with micro switch for using in controller system.

Technical Data

- Accuracy:** ±2% F.S. (on rising pressure)
- Housing:** Die cast aluminum alloy
- Pressure Element:** Wetted parts all in SS316
- Process Connection:** ¼" NPT female, option with adaptor available
- Conduit Connection:** ½", ¾" NPT female, option available
- Working Pressure:** 200 kg/cm²
(Both of High & Low side must be pressured on line at the same time.)
- Working Temperature:** max. 80°C
- Adjustable Micro Switch:** One adjustable alarm contact, SPDT
- Load:** 5A/125VAC, 5A/250VAC, 2A/30VDC
- Temperature:** -25°C ~ +100°C (AMB)
- Hysteresis:** ±10% of full scale (Dead Band)
- Repeatability:** ±2% of full scale

Dimensions



Patent No.

M449263
China: ZL 2012 2 0666839.5

Approvals:



TD0400TJ

Switches with UL & CSA
Recognized and File No.
E41515.

Parts Name

a.	Teflon Seal
b.	Standard Case
c.	Piston Magnet
d.	Rotary Magnet
e.	Range Spring
f.	Piston
g.	Setting Cam
h.	Conduit

Range Selection Table

Code	Adjustable Range	
	psi	kg/cm ²
09R	0~9	0~0.6
11R	0~11	0~0.75
14R	0~14	0~1
30R	0~30	0~2
40R	0~40	0~2.5
60R	0~60	0~4
100R	0~100	0~7
140R	0~140	0~10
200R	0~200	0~14

Ordering Information

DPS2000X	Code	Range
		Please refer to the Range Selection Table.
		Code Wetted Parts Material
	A	SS316
		Code Process Connection
		(1) ¼" NPT Female (2) Option
		Code Conduit Connection- Female
		(A) ½" NPT (B) ¾" NPT (C) Option
		Code Switch Form
	1	One SPDT
DPS2000X		