

DIFFERENTIAL PRESSURE GAUGE

DPH SERIES

Weather Proof, Piston Type
Range Available: 0-0.6-14 kg/cm² (0-9-200PSI)

DPH series consist of high and low pressure ports.
 Spring magnet couple with pointer. Differential pressure indicated on dial due to ΔP pressure of high side and low side be made from magnet couple with pointer.



Approvals:



Patent No.

M449263
 China: ZL 2012 2 0666839.5

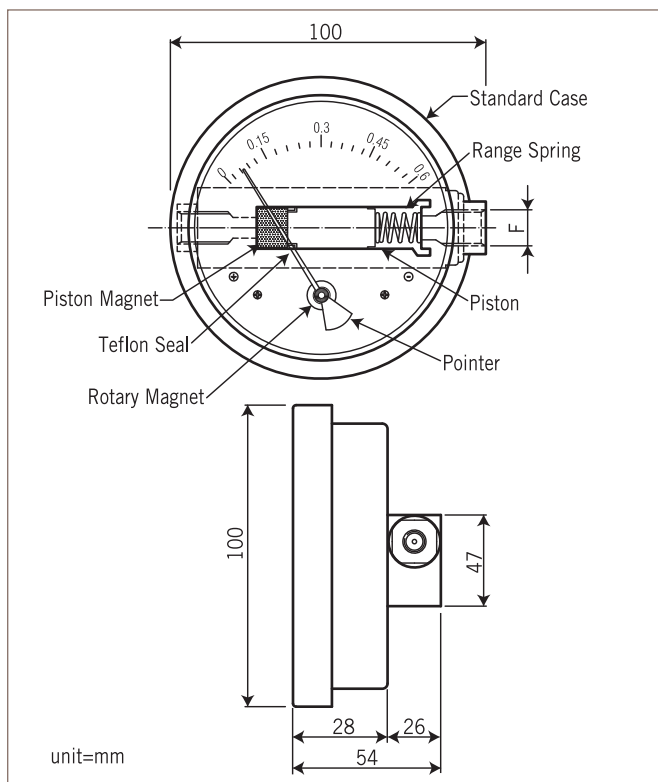
Technical Data

- Dial Size:** ø4", ø6" available
- Accuracy:** ±2% F.S (on rising pressure)
- Housing Material:** 316 stainless steel
- Housing Protection:** IP66
- Pressure Element:** Wetted parts in SS316; Driving magnet (no sealed)

Reminder: Because the driving magnet is not sealed, please DON'T using DPH series for the fluid of corrosive application! And, assembled diaphragm seal is unavailable!

- Process Connection:** ¼"NPT(F); option with adaptor available
- Working Pressure:** 200 kg/cm²
 (Both of High & Low side must be pressured on line at the same time.)
- Working Temperature:** max. 80°C

Dimensions



Range Selection Table

Code	Range	
	psi	kg/cm ²
09R	0~9	0~0.6
11R	0~11	0~0.75
14R	0~14	0~1
30R	0~30	0~2
40R	0~40	0~2.5
60R	0~60	0~4
100R	0~100	0~7
140R	0~140	0~10
200R	0~200	0~14

Ordering Information

DPH	Code	Dial Size										
	A	ø4"	B	ø6"								
			Code	Range								
			09R	0~9 psi	11R	0~11 psi	14R	0~14 psi	30R	0~30 psi	40R	0~40 psi
			60R	0~60 psi	100R	0~100 psi	140R	0~140 psi	200R	0~200 psi		
			Code	Wetted Parts Material								
			A	SS316								
			Code	Process Connection								
			1	¼"NPT Female								
			2	Option (with adaptor)								
DPH												Complete Ordering Code