

DIFFERENTIAL PRESSURE GAUGE

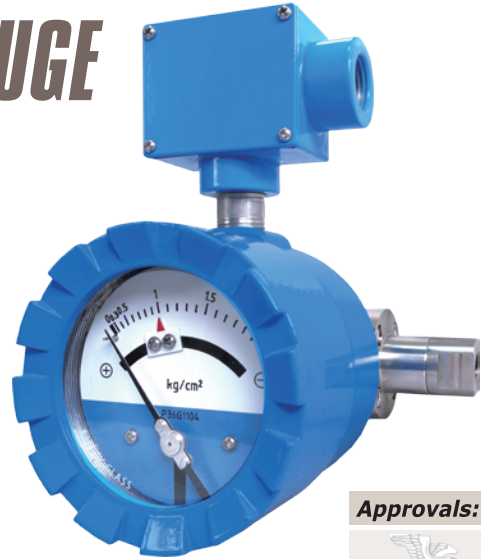
DPG5000

Combine With Switch or 4~20mA Output Signal Available
Weather Proof, Diaphragm Type
Range Available: 0-0.5-7 kg/cm² (0-7-100 PSI)

DPG5000 series consist of high and low pressure ports. Spring and diaphragm as well as magnet couple with pointer. Differential pressure indicated on dial due to ΔP pressure of high side and low side be made from magnet couple with pointer. It could combine with micro switch for using in controller system.

Technical Data

- Dial Size:** ø4"
- Accuracy:** ±2% F.S (on rising pressure)
- Switch Data:** One SPDT micro switch, 5A/125VAC, 5A/250VAC, 2A/30VDC; Dead Band ±12%
- Output Signal:** 4~20mA, 2 wires, DC24V power supply
- Housing:** Die cast aluminum alloy with paint and SS316 available
- Housing Protection:** IP66
- Electronic Connection:** Standard ½"NPT female; ¾"NPT female available
- Pressure Element:** Diaphragm- Viton; other parts all in SS316
- Process Connection:** ½" or ¼"NPT female available
- Working Pressure:** 200 kg/cm²
(Both of High & Low side must be pressured on line at the same time.)
- Working Temperature:** max. 80°C

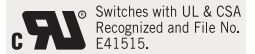


Approvals:



Patent No.

M449263
 China: ZL 2012 2 0666839.5

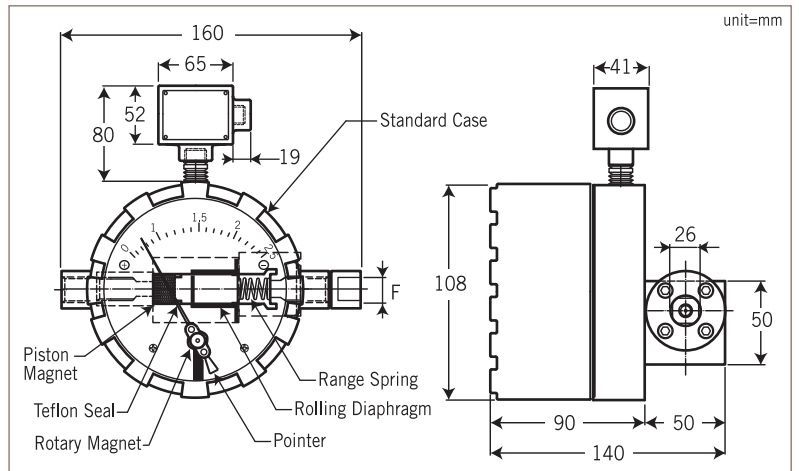


Range Selection Table

| Code | Range | Maximum D/P Pressure Proof |
|------|--------------------------------------|----------------------------|
| 07R | 0~7 psi 0~0.5 kg/cm ² | 8 psi |
| 09R | 0~9 psi 0~0.6 kg/cm ² | 10 psi |
| 12R | 0~12 psi 0~0.8 kg/cm ² | 13 psi |
| 17R | 0~17 psi 0~1.2 kg/cm ² | 19 psi |
| 30R | 0~30 psi 0~2 kg/cm ² | 33 psi |
| 40R | 0~40 psi 0~2.5 kg/cm ² | 44 psi |
| 60R | 0~60 psi 0~4 kg/cm ² | 66 psi |
| 100R | 0~100 psi 0~7 kg/cm ² | 110 psi |

NOTE.: If you need Flow Scale, please contact with factory.

Dimensions



Ordering Information

| DPG5000 | Code | Dial Size | | | | | | | | | | | | | | | | | | |
|---------|---|---|------|-----------------------|-----|---|-----|---------|-----|----------|-----|----------|-----|----------|-----|----------|-----|----------|------|-----------|
| | A | ø4" | | | | | | | | | | | | | | | | | | |
| | | <table border="1"> <thead> <tr> <th>Code</th> <th>Range</th> </tr> </thead> <tbody> <tr> <td>07R</td> <td>0~7 psi</td> </tr> <tr> <td>09R</td> <td>0~9 psi</td> </tr> <tr> <td>12R</td> <td>0~12 psi</td> </tr> <tr> <td>17R</td> <td>0~17 psi</td> </tr> <tr> <td>30R</td> <td>0~30 psi</td> </tr> <tr> <td>40R</td> <td>0~40 psi</td> </tr> <tr> <td>60R</td> <td>0~60 psi</td> </tr> <tr> <td>100R</td> <td>0~100 psi</td> </tr> </tbody> </table> | Code | Range | 07R | 0~7 psi | 09R | 0~9 psi | 12R | 0~12 psi | 17R | 0~17 psi | 30R | 0~30 psi | 40R | 0~40 psi | 60R | 0~60 psi | 100R | 0~100 psi |
| Code | Range | | | | | | | | | | | | | | | | | | | |
| 07R | 0~7 psi | | | | | | | | | | | | | | | | | | | |
| 09R | 0~9 psi | | | | | | | | | | | | | | | | | | | |
| 12R | 0~12 psi | | | | | | | | | | | | | | | | | | | |
| 17R | 0~17 psi | | | | | | | | | | | | | | | | | | | |
| 30R | 0~30 psi | | | | | | | | | | | | | | | | | | | |
| 40R | 0~40 psi | | | | | | | | | | | | | | | | | | | |
| 60R | 0~60 psi | | | | | | | | | | | | | | | | | | | |
| 100R | 0~100 psi | | | | | | | | | | | | | | | | | | | |
| | | <table border="1"> <thead> <tr> <th>Code</th> <th>Wetted Parts Material</th> </tr> </thead> <tbody> <tr> <td>A</td> <td>SS316</td> </tr> </tbody> </table> | Code | Wetted Parts Material | A | SS316 | | | | | | | | | | | | | | |
| Code | Wetted Parts Material | | | | | | | | | | | | | | | | | | | |
| A | SS316 | | | | | | | | | | | | | | | | | | | |
| | | <table border="1"> <thead> <tr> <th>Code</th> <th>Housing Material</th> </tr> </thead> <tbody> <tr> <td>1</td> <td>Aluminum alloy with paint</td> </tr> <tr> <td>2</td> <td>SS316</td> </tr> </tbody> </table> | Code | Housing Material | 1 | Aluminum alloy with paint | 2 | SS316 | | | | | | | | | | | | |
| Code | Housing Material | | | | | | | | | | | | | | | | | | | |
| 1 | Aluminum alloy with paint | | | | | | | | | | | | | | | | | | | |
| 2 | SS316 | | | | | | | | | | | | | | | | | | | |
| | | <table border="1"> <thead> <tr> <th>Code</th> <th>Process Connection</th> </tr> </thead> <tbody> <tr> <td></td> <td>(1) ½"NPT Female (2) ¼"NPT Female</td> </tr> </tbody> </table> | Code | Process Connection | | (1) ½"NPT Female (2) ¼"NPT Female | | | | | | | | | | | | | | |
| Code | Process Connection | | | | | | | | | | | | | | | | | | | |
| | (1) ½"NPT Female (2) ¼"NPT Female | | | | | | | | | | | | | | | | | | | |
| | | <table border="1"> <thead> <tr> <th>Code</th> <th>Electronic Connection</th> </tr> </thead> <tbody> <tr> <td></td> <td>(E) ¾"NPT Female (F) ½"NPT Female, standard</td> </tr> </tbody> </table> | Code | Electronic Connection | | (E) ¾"NPT Female (F) ½"NPT Female, standard | | | | | | | | | | | | | | |
| Code | Electronic Connection | | | | | | | | | | | | | | | | | | | |
| | (E) ¾"NPT Female (F) ½"NPT Female, standard | | | | | | | | | | | | | | | | | | | |
| | | <table border="1"> <thead> <tr> <th>Code</th> <th>Control Form</th> </tr> </thead> <tbody> <tr> <td>1</td> <td>One SPDT</td> </tr> <tr> <td>3</td> <td>4~20 mA</td> </tr> </tbody> </table> | Code | Control Form | 1 | One SPDT | 3 | 4~20 mA | | | | | | | | | | | | |
| Code | Control Form | | | | | | | | | | | | | | | | | | | |
| 1 | One SPDT | | | | | | | | | | | | | | | | | | | |
| 3 | 4~20 mA | | | | | | | | | | | | | | | | | | | |
| DPG5000 | | Complete Ordering Code | | | | | | | | | | | | | | | | | | |