

DIGITAL REFRIGERANT PRESSURE GAUGE 2.5"

DPG3800 – Yellow-Green Back Lighted Available

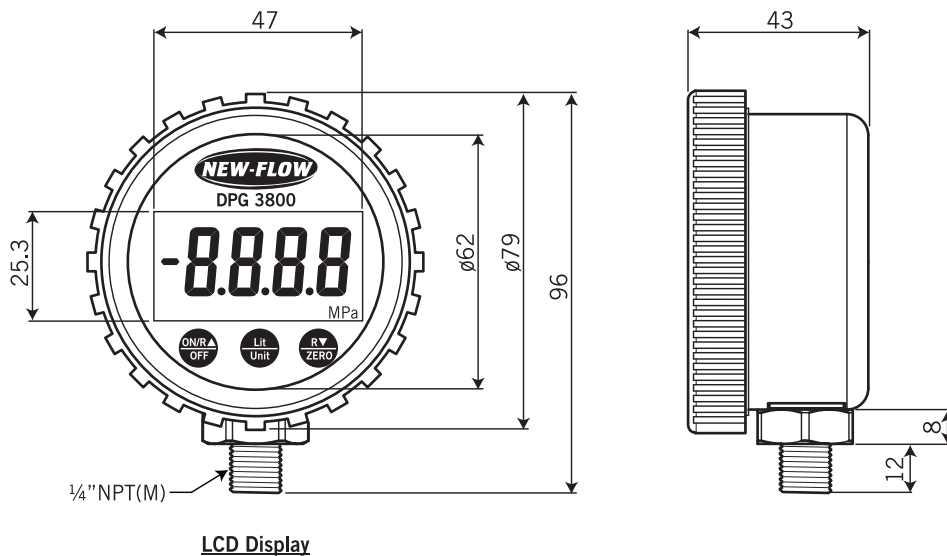
Pressure Range: -14.5~750 Psi
Temperature Compensation: -10 to +60°C
Unit Selection: Psi, Bar, Mpa, Kg/cm², kPa available
Auto-Off Function
Longer Battery Life

The New-Flow DPG3800 Digital Pressure Gauge is designed to handle applications which require air pressure measurement under normal or indoor environment. The user-friendly DPG3800 having longer battery life of 1 year typical at sampling rate of 1.2 sec. With a sensor, a display compactly integrated inside with variety of functions such as unit selection, and auto-off as an option etc, and this gauge can be used for a variety of industrial and commercial applications.

Technical Data

Type: DPG3800-B: LCD Display + Battery Power + Yellow-Green Back Lighted
Socket Material: SS304L
Power Supply: Battery CR123A (3.0V, 1400mAh)
Sampling Rate: 1.2 sec max.
Battery Life: 1 Years for continuous operation without back light
Pressure Range: -14.5 ~ 750 Psi
Measure Media: R-32, R-600, R-507, R-12, R-502, R-410A, R-407C, R-404A, R-134A, R-22, R-1234
Burst Pressure: 3 x F.S.
Accuracy: ±0.5% F.S. (@25±3°C)
Unit: Psi, Bar, Mpa, Kg/cm², kPa, °C, °F available
Resolution: 0.1Psi / 0.01Bar / 0.001Mpa / 0.01Kg/cm² / 1 kPa
 0.1°C (<100°C) or 1°C (≥100°C) / 0.1°F (<100°F) or 1°F (≥100°F)
Compensated Temperature Range: -10°C ~ +60°C
Humidity: 35~85% RH
Port: ¼"NPT Male, and option is available
Auto-Off: 10 Minutes
Weight: approx. 150g

Dimensions



LCD Display



冷媒用デジタル連成計

Digital Refrigerant Compound Pressure Gauge

Ordering Information

↓	DPG3800	Code	Type		
		B	LCD Display + Battery Power + Yellow-Green Back Lighted		
		Code	Pressure Range		
		1	-14.5~750 Psi		
		Code	Connection Port		
			(A) 1/4"NPT(M), Standard (O) Option		
		Code	Power Supply		
		A	Battery CR123A (3.0V, 1400mAh)		
	DPG3800				Complete Ordering Code