

DPG3650

DIGITAL COMPOUND PRESSURE GAUGE 1.5"

DPG3650 – Yellow-Green Back Lighted Available

- Pressure Range: -0.1~5 MPa; 0~40 MPa option available
- Temperature Compensation: -10 to +60°C
- Unit Selection: Psi, Bar, Mpa, Kg/cm² available
- Auto-Off Function
- Longer Battery Life

The New-Flow DPG3650 Digital Pressure Gauge is designed to handle applications which require gas and liquid pressure measurement under normal or indoor environment. The user-friendly DPG3650 having longer battery life of 1 year typical at sampling rate of 1.2 sec. With a sensor, a display compactly integrated inside with variety of functions such as unit selection, and auto-off as an option etc, and this gauge can be used for a variety of industrial and commercial applications.

Technical Data

Type: DPG3650-B: LCD Display + Battery Power + Yellow-Green Back Lighted

LCD Display: 30.5 x 14.5 mm, with 4 digital

Socket Material: SS304L

Power Supply: Battery CR2450 (3.0V, 500mAh)

Sampling Rate: 1.2 sec

Battery Life: 1 Year for continuous operation without back light

Pressure Range: -0.1~5 MPa

Measure Media: Gas and Liquid available

Burst Pressure: 2 x F.S.

Accuracy: (for 0 ~ 5 MPa): ±0.5% F.S. (@25±3°C);

(for 0 ~ -0.1 MPa): ±0.01% F.S. (@25±3°C)

(≤20 MPa): ±0.5% F.S. (@25±3°C)

(>20 MPa): ±1.0% F.S. (@25±3°C)

Unit: Psi, Bar, Mpa, Kg/cm² available

Resolution: 0.1Psi, 0.01Bar, 0.001Mpa, 0.01Kg/cm²

Compensated Temperature Range: -10 ~ +60°C

Humidity: 35~85% RH

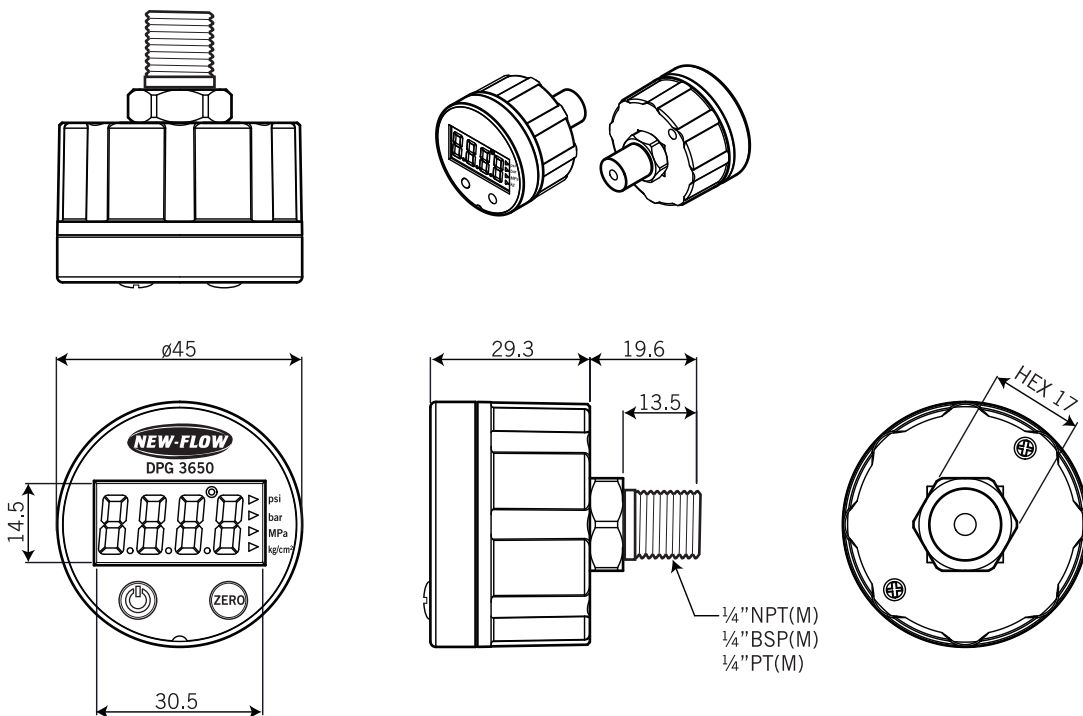
SS304L Port: ¼"NPT Male, and BSP or PT available

Auto-Off: 10 Minutes

Burst Torque (for plastic body): 3.4N-m

Weight: approx. 0.61 kg

Dimensions



冷媒用デジタル連成計

Digital Refrigerant Compound Pressure Gauge

Ordering Information

DPG3650	Code	Type		
	B	LCD Display + Battery Power + Yellow-Green Back Lighted		
		Code	Pressure Range	
		1	-0.1~5 MPa	2 0~40 MPa
		Code	Connection Port	
			(A) 1/4"NPT(M), Standard (B) 1/4"BSP(M) (C) 1/4"PT(M) (O) Option	
		Code	Power Supply	
		A	Battery CR2450 (3.0V, 500mAh)	
DPG3650				Complete Ordering Code