

1" DIGITAL PRESSURE SWITCH

DPG3100T

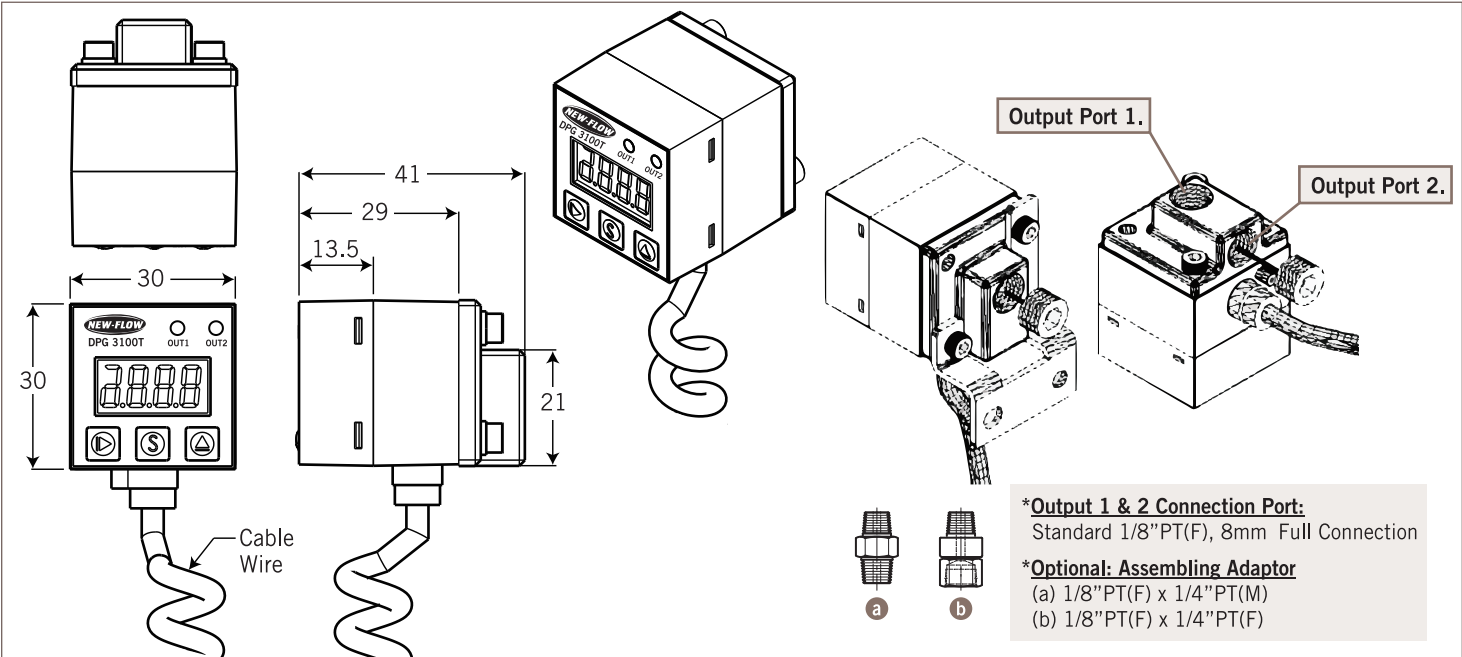
Pressure Range: Vacuum -1 BAR TO 250 BAR
1" Cube Meter for Limited Space
Zero Reset
LCD Digital Display, Temperature Indicator Available
Assembling Adaptor Available

The New-Flow DPG3100T Digital Pressure Switch has two fully-programmable digital outputs available in NPN configurations. When the digital output changes state, the display can be programmed to change to Seven Colors available, and the feature is useful for "at a glance" visual verification. The DPG3100T can be programmed to Hysteresis Setting or Window Setting available.

Technical Data

- Application:** For Non-Corrosive Air and Fluid / Gas application
- Mounting Type:** Mounting Brackets or Panel Mounting available
- Socket Material:** SS304L
- Accuracy:** ±1% of F.S.
- LCD Display:** (V.A.: 20.0 x 9.6mm) with 7 kinds of colors back-lighted programmable
- Resolution:** 1/3000 (max.)
- Multi Pressure Units:** psi, bar, kg/cm², Kpa, Mpa, inHg, cmHg, Atm
- Pressure Range:** Vacuum -1 bar to 250 bar
- Supreme Working Pressure:** Up to 250 bar
- Temperature Compensated:** 0~50°C
- Analog Output:** Current Output 4~20mA
- Digital Output:** NPN
- Power Supply:** 10 to 30 VDC
- Weight:** approx. 0.15kg

Dimensions-mm

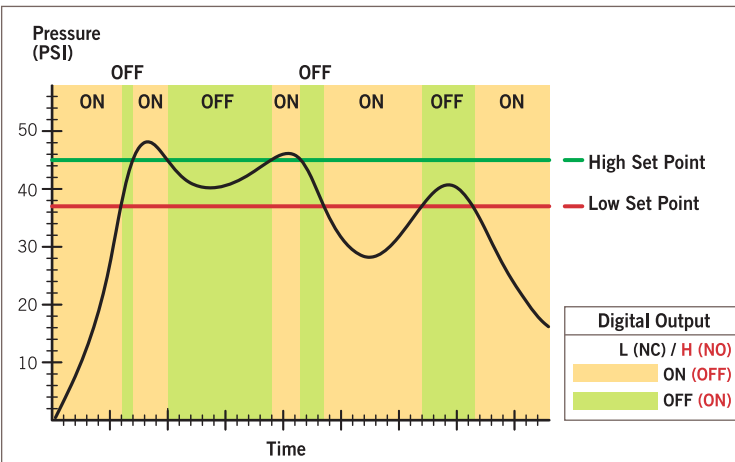


Approvals:

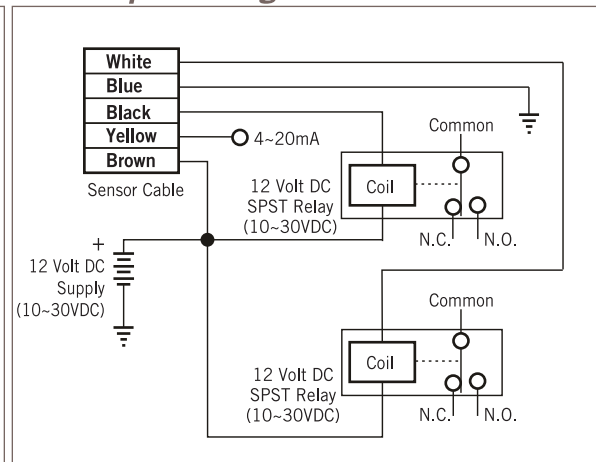


Assembling Adaptor Type

Pressure Curve



NPN Output Wiring



Installation Method for Mounting of Brackets & Panel

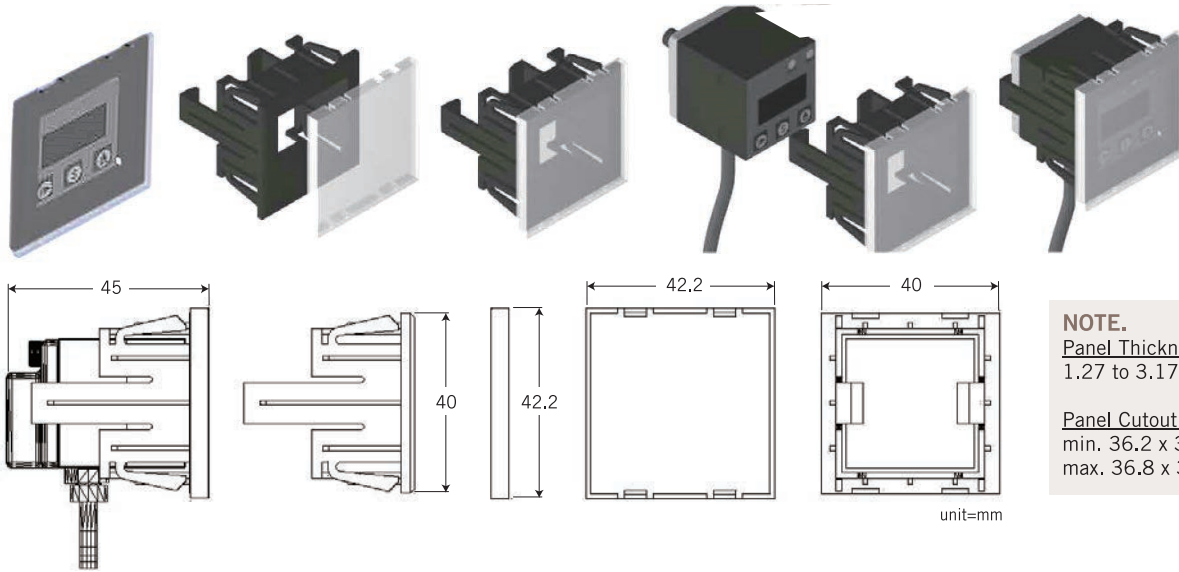
(A) Mounting Brackets:

Two Styles of mounting brackets are included with each sensor. These brackets allow for mounting on either a vertical surface or a horizontal surface. The brackets are installed as shown below. The sensor has two threaded mounting holes on the back side that either bracket screws into.



(B) Panel Mounting:

An alternative to mounting the sensor with the brackets is to use the panel mount option, included with the sensor. The panel mount assembly accepts a wide range for the panel cutout due to spring loaded clips molded into the housing.

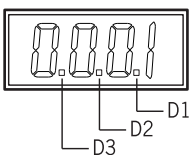


NOTE.
 Panel Thickness Range
 1.27 to 3.175mm
 Panel Cutout Dimensions
 min. 36.2 x 36.2 mm
 max. 36.8 x 36.8mm

Display Digital Decimal Point & Select Unit Function

Range Decimal Point	Pressure Range				
	1 Bar	10 Bar	35 Bar	100 Bar	250 Bar
Unit					
PSI	D2 0.01	D1 0.1	None	None	None
Bar	D3 0.001	D2 0.01	D1 0.1	D1 0.1	D1 0.1
Kg/cm ²	D3 0.001	D2 0.01	D1 0.1	D1 0.1	D1 0.1
KPa	D1 0.1	None	—	—	—
MPa	D3 0.001	D3 0.001	D2 0.01	D2 0.01	D2 0.01
in-Hg	D1 0.1	None	None	None	—
cm-Hg	D1 0.1	None	None	—	—
Atm	D3 0.001	D2 0.01	D1 0.1	D1 0.1	D1 0.1

Decimal Point:



Ordering Information

DPG3100T	Code	Pressure Range		
	1	-1~1 Bar (4~20mA)	2 0~10 Bar	
	3	0~35 Bar	4 0~100 Bar	
	5	0~250 Bar		
		Code	Connection Port— Output 1 & 2	
		R	Port 1. & 2.: 1/8"PT female, standard	
		R1a	Port 1. c/w adaptor: 1/8"PT female x 1/4"PT male	
		R1b	Port 1. c/w adaptor: 1/8"PT female x 1/4"PT female	
		R2a	Port 2. c/w adaptor: 1/8"PT female x 1/4"PT male	
		R2b	Port 2. c/w adaptor: 1/8"PT female x 1/4"PT female	
		S	Customized	
		Code	Analog Output	
		A	4~20mA	
			Code	Output Mode
		N	NPN	
DPG3100T				