

# DIGITAL PRESSURE GAUGE 3"

## DPG3000

**Pressure Unit Choices Available: psi-Bar-MPa**  
**9V-DC Battery Power with Auto-Off Function**  
**Zero Offset**  
**LCD Digital Display**  
**ISO 9001**

The New-Flow DPG3000 Digital Pressure Gauge offers  $\pm 0.5\%$  full scale accuracy, while SS316 wetted part provides a variety of applications in media of fluids and gases for the industrial field and the commercial field.

### Technical Data

**Accuracy:**  $\pm 0.5\%$  of full scale  
**LCD Display:** 30 X 14.5 mm, with 4 digital  
**Dimension:** 3", H10.2 X W4.5cm  
**Operating Temperature:** -10 to 60°C  
**Over Pressure:** 2 times of F.S.  
**Process Connections:** 1/4" NPT Male, standard  
**Connection Material:** SS316  
**Multiple Pressure unit:** Positive pressure: Psi, Bar, Mpa  
 Vacuum pressure: Bar, mmHg, Torr  
**Response Time:** <1 ms  
**Total Error (Typical):**  $\pm 1.00\%$   
**LCD Resolution:** XX.X1/X.XX1/XXX.1

Pressure Range	Accuracy	Resolution		
		PSI	Bar	MPa
100 PSI	Tpy. $\pm 0.5\%$ F.S.	0.01	0.001	0.01
500 PSI	Tpy. $\pm 0.5\%$ F.S.	0.1	0.01	0.01
1000 PSI	Tpy. $\pm 0.5\%$ F.S.	0.1	0.01	0.1
3000 PSI	Tpy. $\pm 0.5\%$ F.S.	1	0.1	1

Pressure Range	Accuracy	Resolution		
		Bar	mmHg	Torr
-1~0 Bar	Tpy. $\pm 0.5\%$ F.S.	0.001	0.1	0.1

**Multiple unit:** -1~0 Bar , -760 mmHg~0  
**Changable:** 0~760 Torr

### Ordering Information

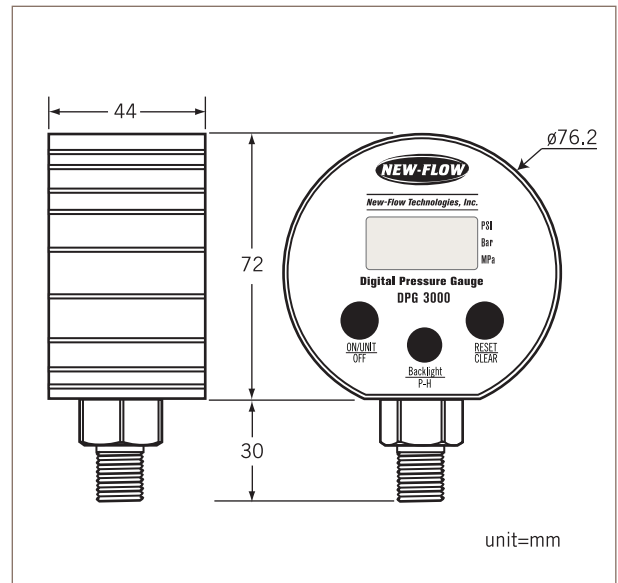
DPG3000	Code	Pressure Range		
↓	1	100 psi	4	3000 psi
	2	500 psi	5	-1~0 bar
	3	1000 psi		
↓		<b>Code</b>	<b>Connection Port</b>	
		U	1/4" NPT (standard)	
		S	Customized	
↓		<b>Code</b>	<b>Type</b>	
		A	9V DC Battery	
DPG3000				



### Approvals:



### Dimensions



### Applications

Refrigeration Systems	Gas Dynamics
Level Systems	Sequencing Control
Flow System	Control & instrumentation
Pump	Agriculture
Cylinder Valve	Car industry
Water Sprinkling System	Heating, Ventilation, Air Condition (HVAC)