

DIFFERENTIAL PRESSURE GAUGE

DPG2000



COST RELIABLE
EASY READ
HIGH ACCURACY
RANGE AVAILABLE:
0-15-250 mm Water

DPG2000 is widely used to measure the pressure of fans and blowers, filter resistance, air velocity, furnace pressure, orifice plate, or hydraulic system pressure. It is also used for air-gas ratio control and automatic valve control in combustion processes, as well as blood pressure and respiratory pressure monitoring in medical and healthcare equipment.

APPLICABLE INDUSTRIES

- Medical and health
- Microelectronic
- Aerospace
- Environmental engineering
- Bioengineering
- Pharmaceuticals
- Intelligent buildings
- HVAC
- Food and beverage
- Precision electronics processing

FEATURES

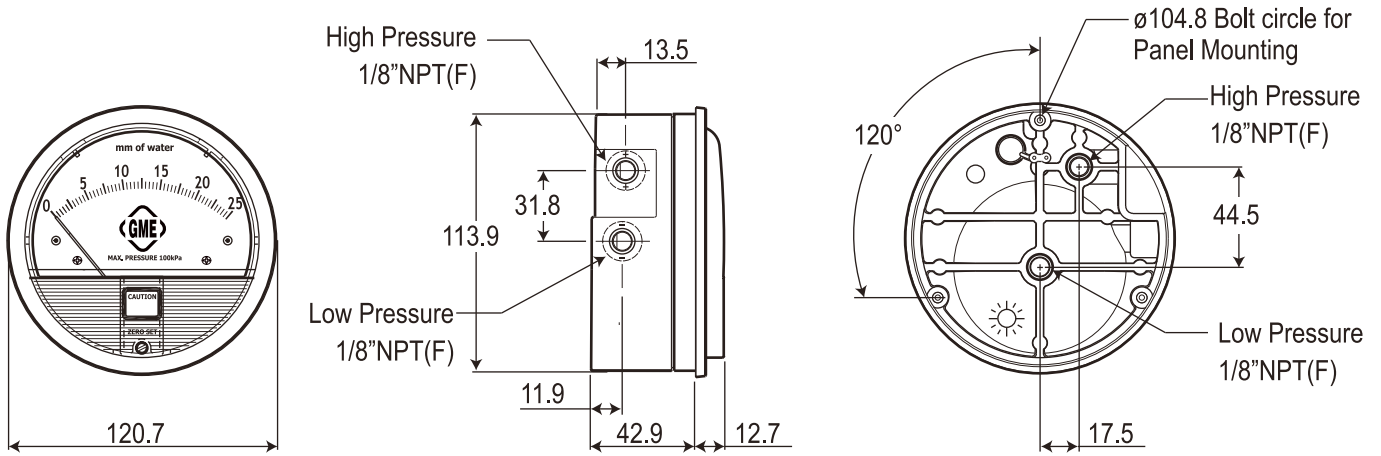
- Magnetic spiral worm mechanism fundamentally eliminates friction from gear transmission
- Excellent anti-vibration and anti-shock performance
- Measure positive, negative, or differential pressure
- External zero adjustment

TECHNICAL DATA

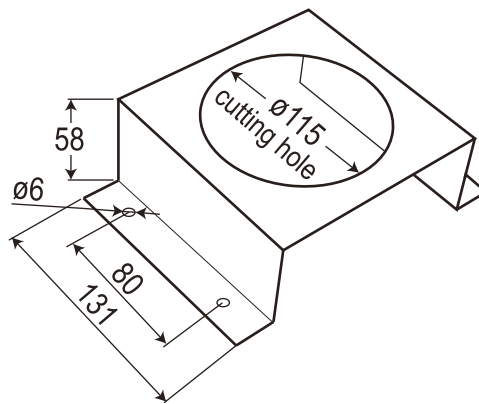
- Dial size: $\varnothing 4''$
- Case material: cast aluminum press, or Nylon with ABS plastic
- Accuracy: $\pm 2\%$ F.S (code on Δ : $\pm 3\%$ F.S ; code on $\Delta\Delta$: $\pm 4\%$ F.S)
- Max. pressure: 15 Psig (100 kPa)
- Max. temperature: 60°C
- Process connection: 2 set of $\frac{1}{8}''$ NPT(F) for high and low pressure taps
(1 pair left side and 1 pair back side)
- Standard accessories: 2pcs $\frac{1}{8}''$ NPT plugs
2pcs $\frac{1}{8}''$ pipe thread to rubber tubing adapters
3pcs flush mounting adapters with screws



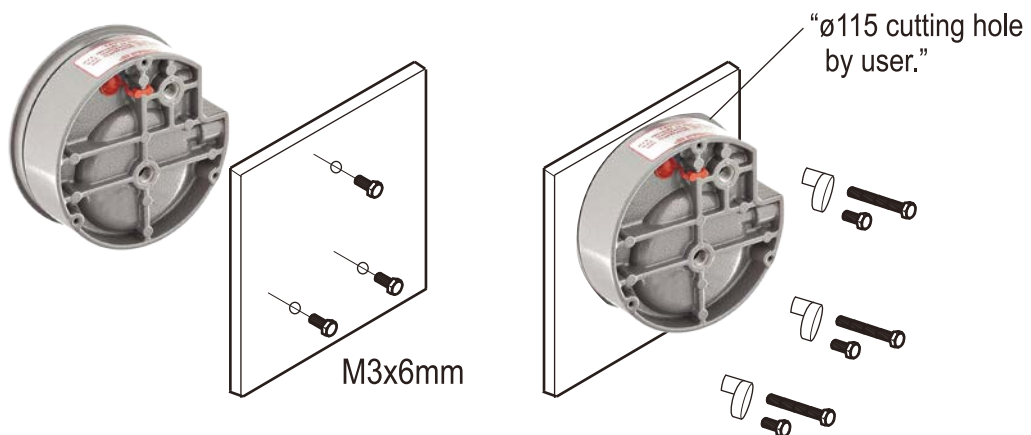
DIMENSIONS



SUPPORT STYLE MUONTING TYPE



PANEL MUONTING TYPE



PRESSURE RANGE & ORDERING CODE

<i>Unit: Inches w.c.</i>		<i>Unit: CM w.c.</i>		<i>Unit: Pa</i>	
Ordering Code	Range	Ordering Code	Range	Ordering Code	Range
DPG2000-0.2"W/ΔΔ	0.05~0.2	DPG2000-15cmW	0~15	DPG2000-10~50Pa/ΔΔ	10~0~50
DPG2000-0.25"W/ΔΔ	0~0.25	DPG2000-20cmW	0~20	DPG2000-30Pa/ΔΔ	0~30
DPG2000-0.5"W/Δ	0~0.5	DPG2000-25cmW	0~25	DPG2000-60Pa/ΔΔ	0~60
DPG2000-1"W	0~1.0	DPG2000-50cmW	0~50	DPG2000-100Pa/Δ	0~100
DPG2000-2"W	0~2.0	DPG2000-80cmW	0~80	DPG2000-125Pa/Δ	0~125
DPG2000-3"W	0~3.0	DPG2000-100cmW	0~100	DPG2000-250Pa	0~250
DPG2000-4"W	0~4.0	DPG2000-150cmW	0~150	DPG2000-300Pa	0~300
DPG2000-5"W	0~5.0	DPG2000-200cmW	0~200	DPG2000-500Pa	0~500
DPG2000-6"W	0~6.0	DPG2000-250cmW	0~250	DPG2000-750Pa	0~750
DPG2000-8"W	0~8.0	DPG2000-300cmW	0~300	DPG2000-1000Pa	0~1000
DPG2000-10"W	0~10	<i>Zero Center Ranges</i>		<i>Zero Center Ranges</i>	
DPG2000-12"W	0~12	Ordering Code	Range	Ordering Code	Range
DPG2000-15"W	0~15	DPG2000-0N-4cmW	2~0~2	DPG2000-0N-60Pa/ΔΔ	30~0~30
DPG2000-20"W	0~20	DPG2000-0N-10cmW	5~0~5	DPG2000-0N-100Pa/Δ	50~0~50
DPG2000-25"W	0~25	DPG2000-0N-30cmW	15~0~15	DPG2000-0N-120Pa	60~0~60
DPG2000-30"W	0~30	<i>Unit: MM w.c.</i>		DPG2000-0N-200Pa	100~0~100
DPG2000-40"W	0~40	Ordering Code	Range	DPG2000-0N-250Pa	125~0~125
DPG2000-50"W	0~50	DPG2000-6mmW/ΔΔ	0~6	DPG2000-0N-300Pa	150~0~150
DPG2000-60"W	0~60	DPG2000-10mmW/Δ	0~10	DPG2000-0N-500Pa	250~0~250
DPG2000-80"W	0~80	DPG2000-15mmW	0~15	DPG2000-0N-1000Pa	500~0~500
DPG2000-100"W	0~100	DPG2000-25mmW	0~25	<i>Unit: kPa</i>	
DPG2000-120"W	0~120	DPG2000-30mmW	0~30	Ordering Code	Range
DPG2000-150"W	0~150	DPG2000-50mmW	0~50	DPG2000-0.5kPa	0~0.5
DPG2000-160"W	0~160	DPG2000-80mmW	0~80	DPG2000-1kPa	0~1
DPG2000-180"W*	0~180	DPG2000-100mmW	0~100	DPG2000-1.5kPa	0~1.5
DPG2000-250"W*	0~250	DPG2000-125mmW	0~125	DPG2000-2kPa	0~2
<i>Zero Center Ranges</i>		DPG2000-150mmW	0~150	DPG2000-2.5kPa	0~2.5
Ordering Code	Range	DPG2000-200mmW	0~200	DPG2000-3kPa	0~3
DPG2000-0N-0.25"W/ΔΔ	0.125~0~0.125	DPG2000-250mmW	0~250	DPG2000-4kPa	0~4
DPG2000-0N-0.5"W/Δ	0.25~0~0.25	DPG2000-300mmW	0~300	DPG2000-5kPa	0~5
DPG2000-0N-1"W	0.5~0~0.5	<i>Zero Center Ranges</i>		DPG2000-8kPa	0~8
DPG2000-0N-2"W	1~0~1	Ordering Code	Range	DPG2000-10kPa	0~10
DPG2000-0N-4"W	2~0~2	DPG2000-0N-6mmW/ΔΔ	3~0~3	DPG2000-15kPa	0~15
DPG2000-0N-10"W	5~0~5	DPG2000-0N-10mmW/Δ	5~0~5	DPG2000-20kPa	0~20
DPG2000-0N-20"W	10~0~10	DPG2000-0N-12mmW/Δ	6~0~6	DPG2000-25kPa	0~25
DPG2000-0N-30"W	15~0~15	DPG2000-0N-20mmW/Δ	10~0~10	DPG2000-30kPa	0~30
		DPG2000-0N-50mmW	25~0~25	<i>Zero Center Ranges</i>	
				Ordering Code	Range
				DPG2000-0N-1kPa	0.5~0~0.5
				DPG2000-0N-2kPa	1~0~1
				DPG2000-0N-2.5kPa	1.25~0~1.25
				DPG2000-0N-3kPa	1.5~0~1.5

Note.

/ Calibrated for certical scale position.

Δ Accuracy ±3% F.S

ΔΔ Accuracy ±4% F.S

* Medium pressure option, rated for internal pressure up to 35 psig.