

FLOW CONSTANT VALVE FOR PURGE METER CVA/CVD

Technical Data

The CVA series is used in where the pressure at the inlet is variable and the pressure at the outlet is constant.

The CVD series is used in where the pressure at the inlet is constant and the pressure at the outlet is variable.

Flow Rate:

Liquid: Maximum 1000 cc/min water for ¼"NPT, bigger than it on request

Gas: Maximum 50 NL/min air for ¼"NPT ; 700 NL/min air for ½"NPT

Process Connection: ¼"NPT female, others on request

Temperature Limit: 120°C standard; and 180°C on request

Pressure Limit: 10 kg/cm² standard; and 40 kg/cm² on request

Controllable Differential Pressure:

Air– Min. 0.02 kg/cm² ; Max. 4 kg/cm² ;

Liquid– Min. 0.2 kg/cm² ; Max. 4 kg/cm² ;

Special range on request

Accuracy: ±5% F.S.

Material: Body and metal parts- 316 stainless steel
Membrane- Teflon, and SS316L on request

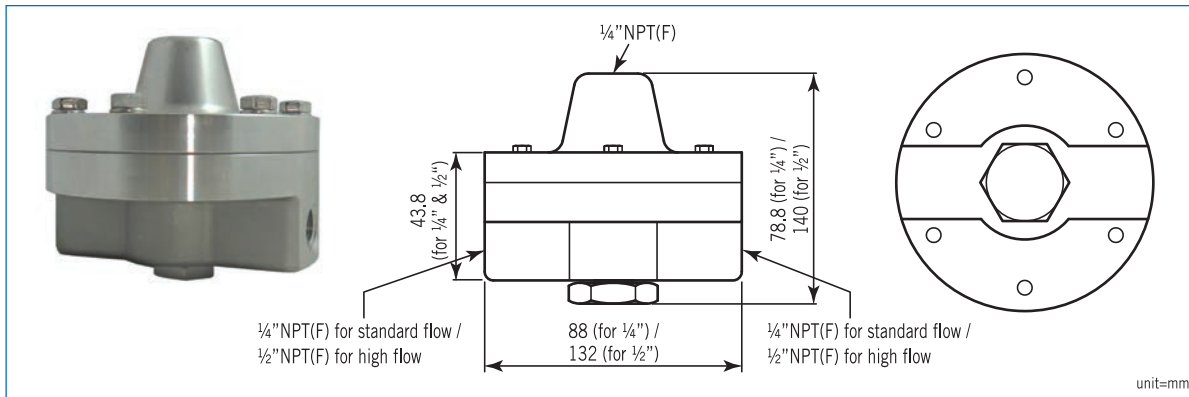


CVA

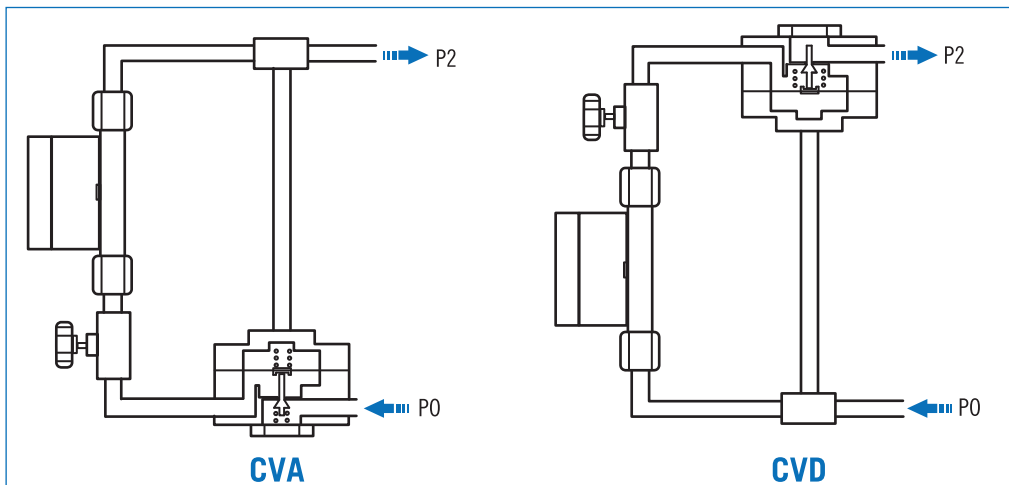


CVD

Dimension

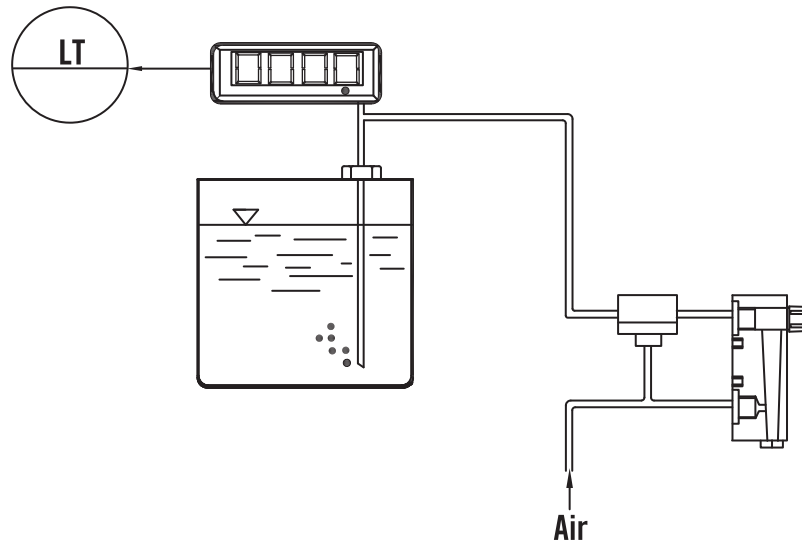


Installed Drawing

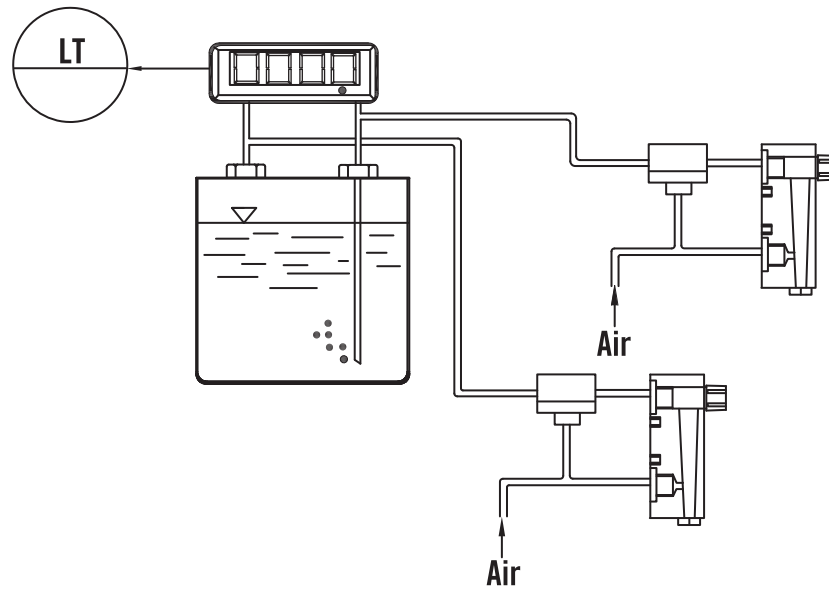


Installed Method

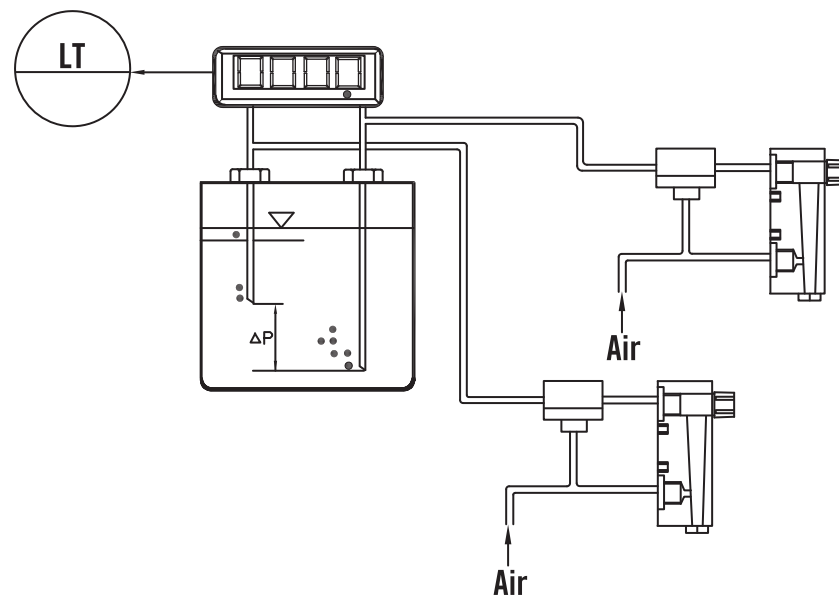
Open Tanks Type Installed Method



Closed Tanks Type Installed Method



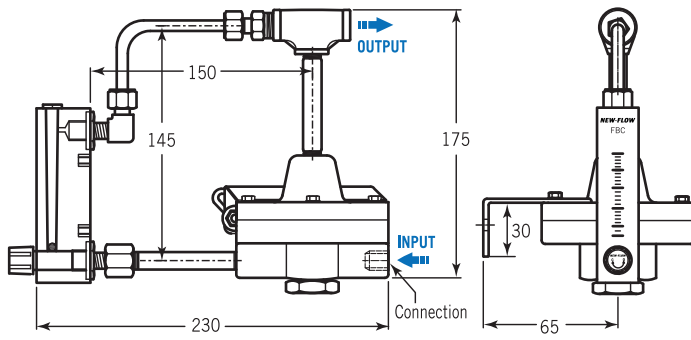
Measuring Density Type Installed Method



Purge Set W/ Mounting Method

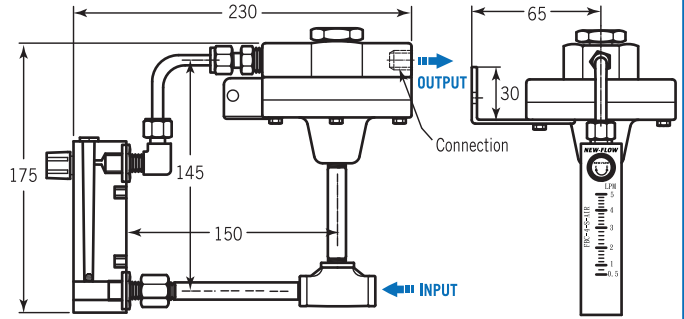
Type A

Acrylic Plastic Flow Meter– CVA purge set



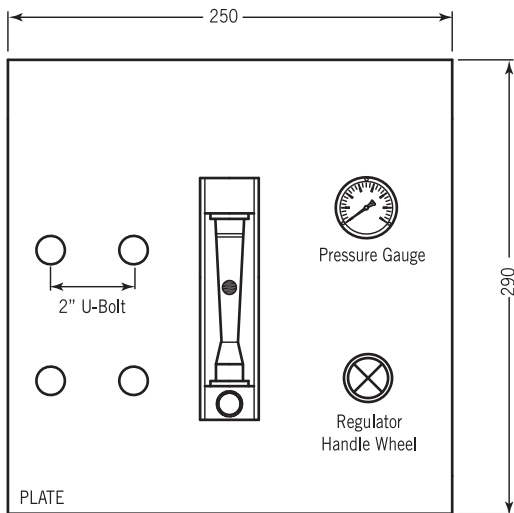
Type B

Acrylic Plastic Flow Meter– CVD purge set



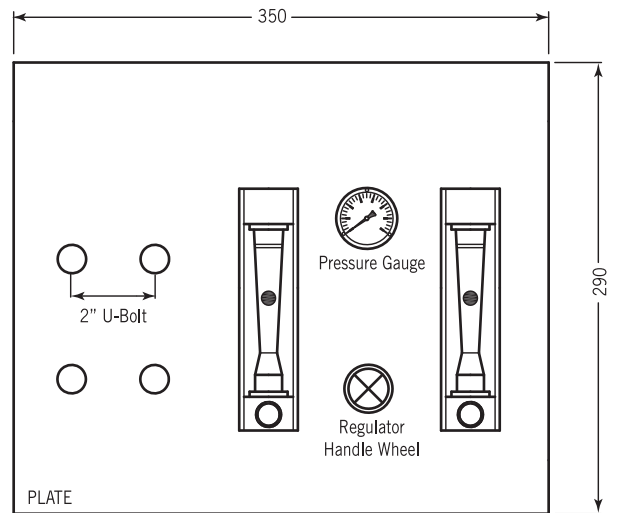
Type C

Glass Tube Flow Meter– One set



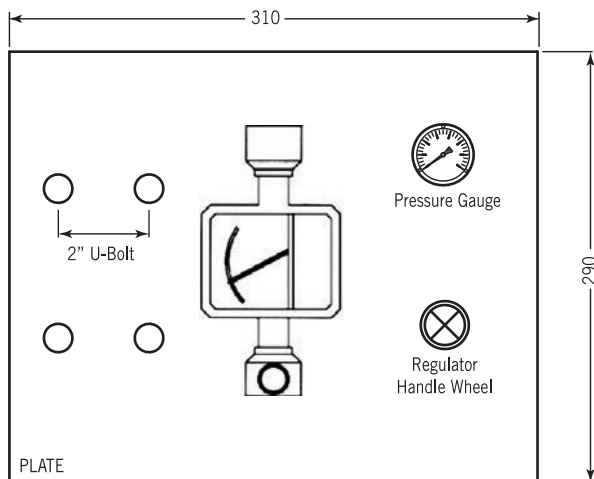
Type D

Glass Tube Flow Meter– Two sets



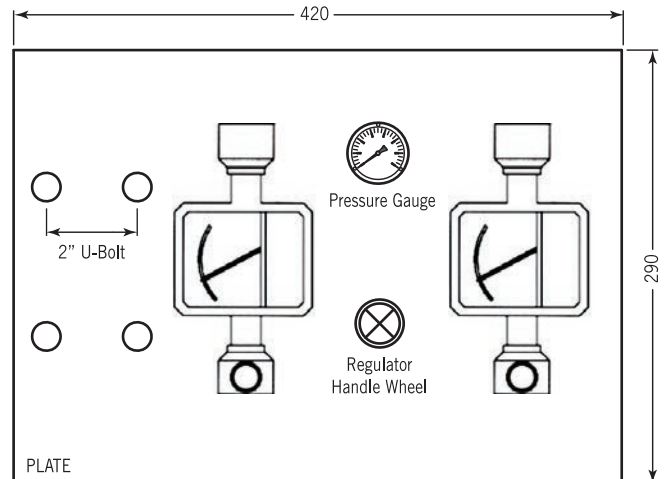
Type E

Metal Tube Flow Meter– One set



Type F

Metal Tube Flow Meter– Two sets



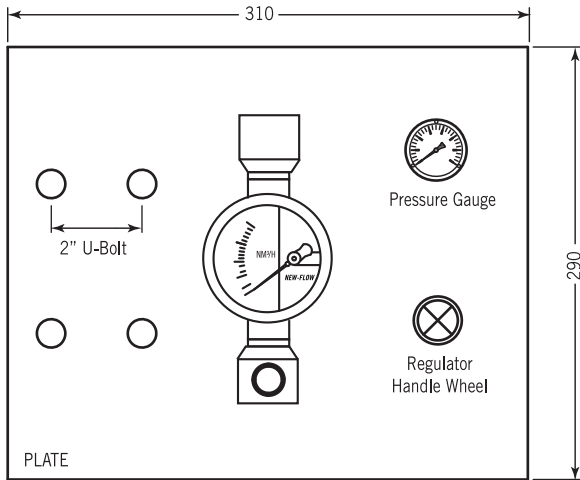
unit=mm

NOTE
Option: Other style available.

Purge Set W/ Mounting Method

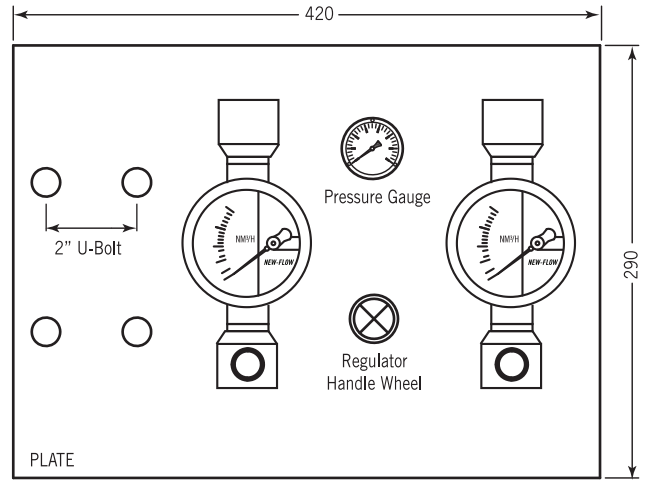
Type G

Metal Tube Flow Meter– One set



Type H

Metal Tube Flow Meter– Two sets



unit=mm

NOTE

Option: Other style available.