

# CAPACITIVE LEVEL SWITCH

## CPLS1000

**Proof Housing: IP66**  
**Explosion Proof**  
**No Moving Parts**  
**Easy Installtion**

The New-Flow CPLS1000 is used for measuring process vessel at the specific one point for using level alarms or for interlocking level control system.

The New-Flow CPLS1000 has the ability to detect and measure both conductive and non-conductive media. CPLS1000 can be used in many industries for a wide range of applications such as water, oils, and a variety of corrosive materials.

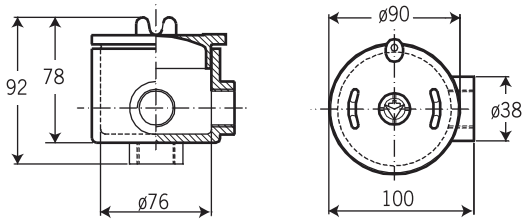
### Technical Data

- Housing:** Aluminum alloy, IP66, Explosion proof
- Probe Insulatoin Material:** PTFE
- Probe Rod / Connectoin Material:** SS316, Hastelloy C276 and Ni-200 with or without PFA lining
- Working Temperature Limit:** -20°C ~ +120°C
- Working Pressure Limit:** 20 Kg/cm<sup>2</sup>
- Process Connection:** 1" NPT of thread or flange; ¾" option
- Flange Connection:** ¾"~3", or consult to manufacturer
- Operating Sensibility:** 4 pf (adjustable)
- Power Supply:** 110VAC, 220VAC, 24VDC
- Power Consumption:** 4VA
- Contact Form:** SPDT
- Contact Rating:** 10A 240VAC  
10A 24VDC

### Case Type & Dimensions-mm

#### Case Type:

- (A) Europe Union ATEX Certificate
- II 2G Ex d IIC T6
- II 2D Ex tD A21 IP66 T85°C



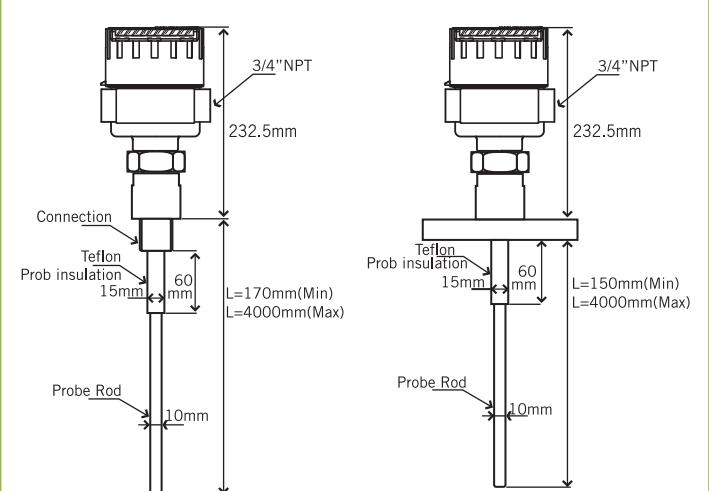
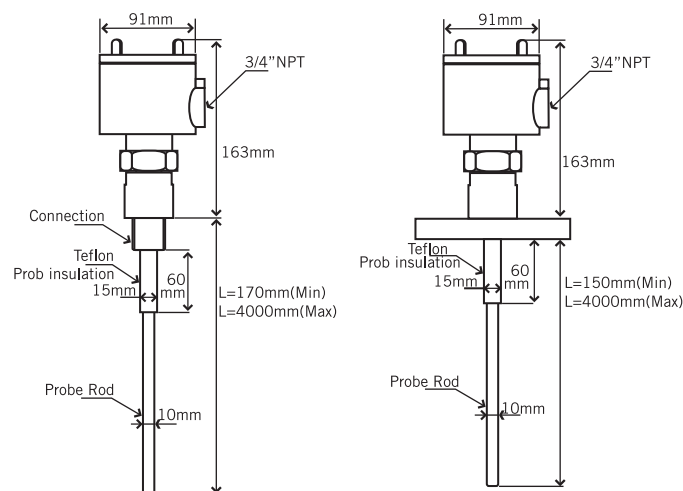
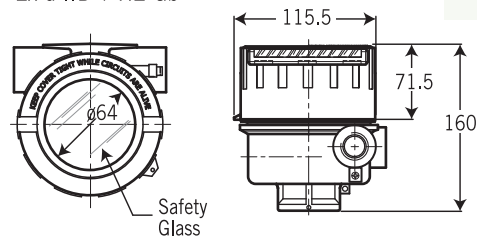
#### Case Type:

- (B) Europe Union ATEX Certificate
- II 2 G D
- Ex db IIB + H2 Gb
- Ex tb IIIC Db



TD0400TJ  
(ITRI)2021 第07-00075U號

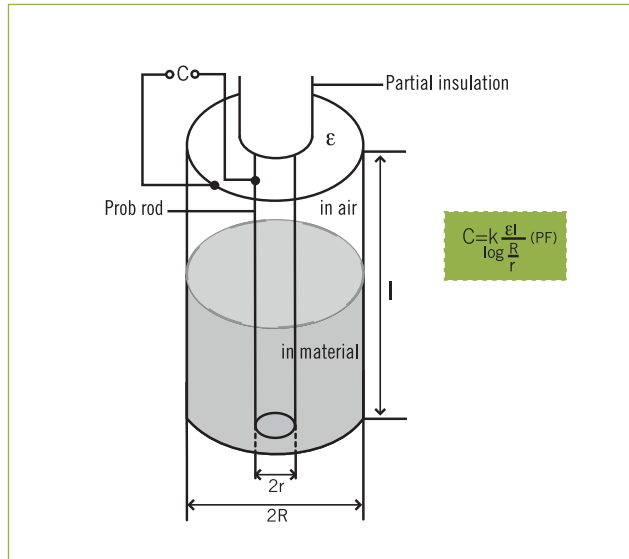
- (C) Taiwan Explosion Proof Certificate
- Ex d IIB + H2 Gb



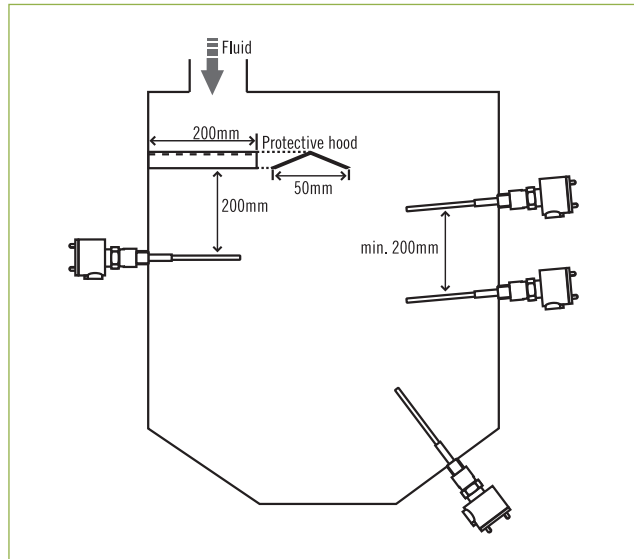
#### Approvals:



## Measurement Principle



## Installation Instruction



## Ordering Information

CPLS1000	Code	Style								
	S	Standard (Max. Temp. 120°C)								
			Code		Connection Size					
					(1) 1" (2) 1½" (3) 2" (4) 3" (5) option (¾" only)					
					Code		Connect Rating			
					Thread	(A) NPT (B) BSP				
					Flange	(C) JIS 10K (D) JIS 20K (E) ANSI 150# (F) ANSI 300# (G) PN16 (H) PN25 (O) Option				
					Code		Probe Rod / Connection Material			
					A	SS316, standard				
					B	Hastelloy C276				
					C	Ni-200				
					D	other				
					Code		Conduit Size			
					1	¾" NPT				
					Code		PFA lining			
					Y	With PFA lining				
					N	Without PFA lining				
					Code		Insertion length			
							Please fill out the requested length in the ordering code.			
					Code		Power supply			
					A	110VAC				
					B	220VAC				
					C	24VDC				
					Code		Explosion Proof Type		(Ex. Certificate on Housing Only)	
					A	Europe Union ATEX Certificate II 2G Ex d IIC T6 II 2D Ex tD A21 IP66 T85°C				
					B	Europe Union ATEX Certificate / L-1 II 2 G D Ex db IIB + H2 Gb Ex tb IIIC Db				
					C	Taiwan Explosion Proof Certificate / L-1 Ex d IIB + H2 Gb				
<b>CPLS1000</b>	<b>S</b>	<b>1</b>	<b>1</b>	<b>Y</b>	<b>1</b>	<b>A</b>	<b>A</b>			<b>Complete Ordering Code</b>