

BACK PRESSURE REGULATOR

BPR SERIES-20

BPR Series-20 designed for control and relief upstream line pressure to apply in instrumentation systems, analyzer system and pilot plant.

Technical Data

For using gas and liquid

Inlet pressure: 568 Psig maximum (40 kg/cm²)

Adjustable inlet relief pressure in ranges: 14.2~142 psig (1~10 kg/cm²); 42.6~284 psig (3~20 kg/cm²)

Operating temperature: -40°C to 100°C

Diaphragm material: 316L stainless steel

Body material: 316L stainless steel

Seat material: Viton and FFKM available

CV flow coefficients: 2.0

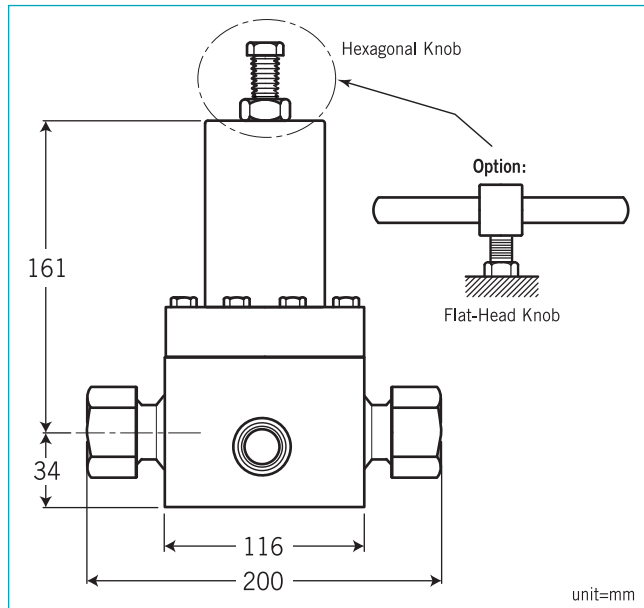
Process connection: ¾" or 1" NPT female; and other size on request

Two gauge connection ports are: ¼" NPT female

Use no oil: available

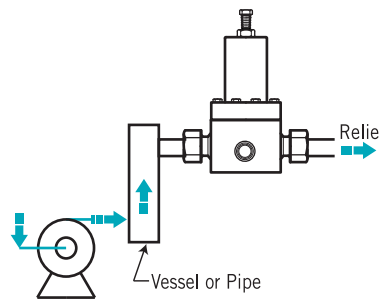


Dimensions

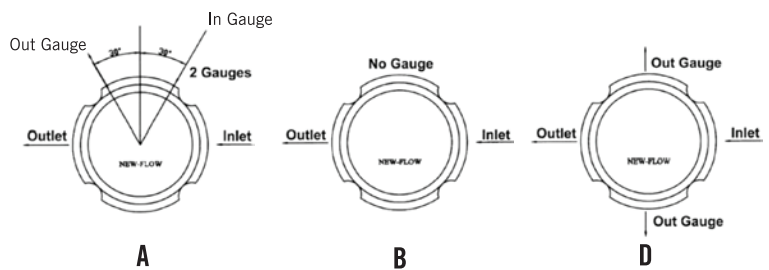


*Flange type available, the minimum length of face to face is 250mm.

Installation Mode



Standard Port Configuration



Ordering Information

BPR	Code	Type
	20	Back Pressure Regulator
		Code Body Material
		1 316L stainless steel
		Code Knob Material
		B Metal (Flat-Head) C Metal (Hexagonal)
		Code Max. Inlet Pressure
		1 568 Psig (40 kg/cm ²)
		Code Inlet Relief Pressure Range
		1 14.2~142 Psig (1~10 kg/cm ²) 2 42.6~284 Psig (3~20 kg/cm ²)
		Code Seat Material
		A Viton B FFKM
		Code Port Configuration
		A B D
		Code Process Connection
		A ¾" NPT(F) B 1" NPT(F) C Option F Flange Type*
BPR		Complete Ordering Code

(*Please fill out the flange size and rating directly.)