

BACK PRESSURE REGULATOR

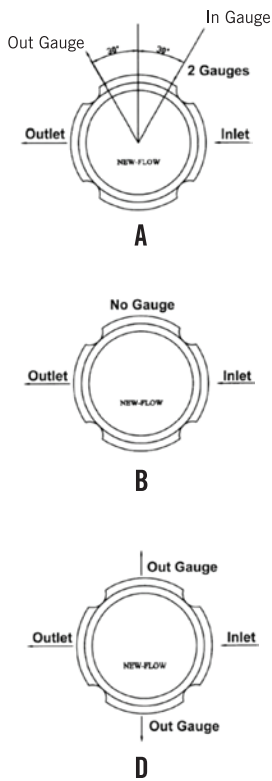
BPR SERIES-10

BPR Series-10 designed for control and relief upstream line pressure to apply in instrumentation systems, analyzer system and pilot plant.

Technical Data

- For using gas and liquid
- Inlet pressure: 250 Psig maximum
- Adjustable inlet relief pressure in ranges: 3~35; 6~85; 17~125; 20~216 Psig
- Operating temperature: -40 to 175°C
- Diaphragm material: 316L stainless steel
- Body material: 316L stainless steel
- Seat material: Viton, FFKM available
- CV flow coefficients: 1.0
- Process connection: ¼" and ½"NPT female
- Two gauge connection ports are: ¼"NPT female
- Use no oil: available

Standard Port Configuration

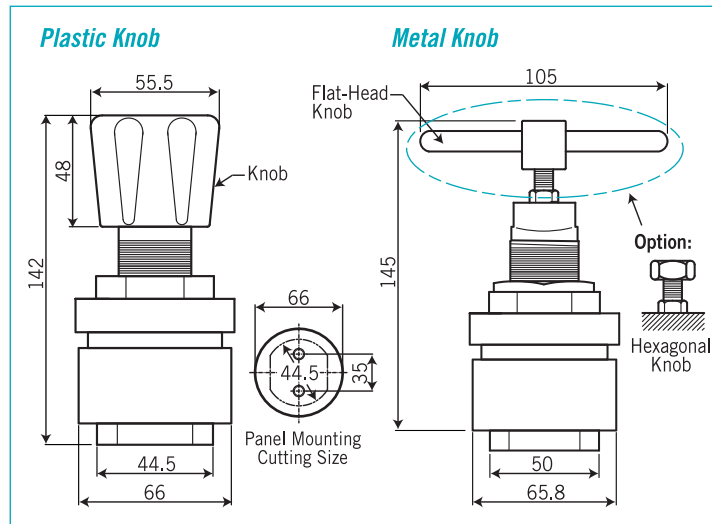


Plastic Knob

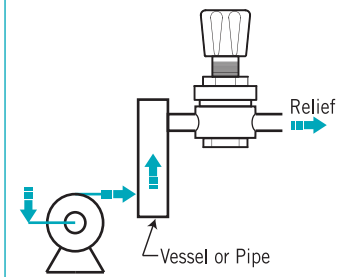


Metal Knob

Dimensions-mm



Installation Mode



Ordering Information

| BPR | Code | Type |
|-----|------|--|
| | 10 | Back Pressure Regulator |
| | | Code Body Material |
| | 1 | 316L stainless steel |
| | | Code Knob Material |
| | A | Plastic |
| | B | Metal (Flat-Head) |
| | C | Metal (Hexagonal) |
| | | Code Max. Inlet Pressure |
| | 1 | 250 Psig |
| | | Code Inlet Relief Pressure Range |
| | (0) | 3~35 Psig |
| | (1) | 6~85 Psig |
| | (2) | 17~125 Psig |
| | (3) | 20~216 Psig |
| | | Code Seat Material |
| | A | Viton |
| | B | FFKM |
| | | Code Port Configuration |
| | A | B |
| | D | |
| | | Code Process Connection |
| | A | ¼"NPT(F) |
| | B | ½"NPT(F) |

Complete Ordering Code