

PFA LINED BALL VALVES BA21 SERIES

– ANSI 150LB Flange End Two Way

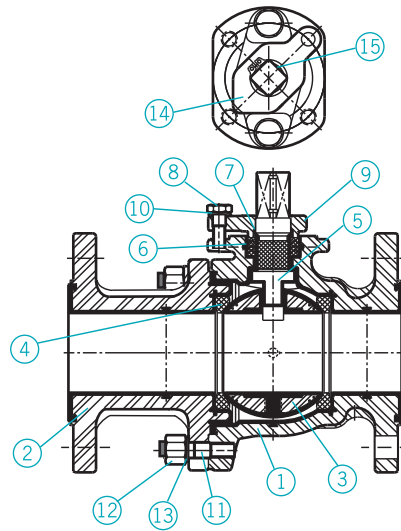
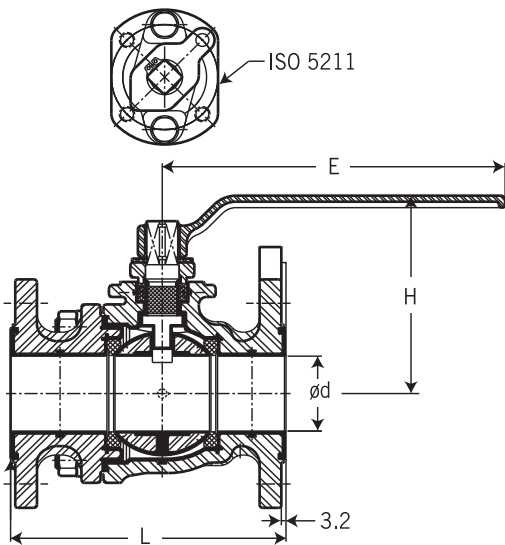


Technical Data

- ISO 5211 Mounting Pad
- Lever Operated
- Size: ½"~4" available
- Face to Face Dimension: ISO5752
- Valve Body Design: ASME B16.34
- Flange Rating: ANSI 150LB

End Flange Dimension: ASME B16.5
 Max. Operation Pressure: 275 psi
 Max. Operation Temperature: -30°C~+160°C

Dimensions



Parts List & Material

Item	Parts Name	Material
1	Body	A351-CF8+PFA Liner
2	Cap	A351-CF8+PFA Liner
3	Ball	A351-CF8+PFA Liner
4	Seat	TFM 1600 (Reinforce PTFE)
5	Stem	SS304+PFA Liner
6	Gland Packing	PTFE
7	Gland Bush	PTFE
8	Gland Bolts	SS304
9	Gland Flange	A350-CF8
10	Spring Washer	SS304
11	Body Bolts	SS304
12	Body Nuts	SS304
13	Spring washer	SS304
14	Triangle Stopper	SS304
15	C-Ring	SS304

unit=mm

Size	ød	H	E	L
½"	15	81	145	130
¾"	20	83	145	150
1"	25	98	165	152
1½"	40	124	225	178
2"	50	132	225	203
2½"	65	164	350	222
3"	80	173	365	241
4"	100	229	400	292

Static CV valve

Size	½"	¾"	1"	1½"	2"	2½"	3"	4"
CV	16	35	74	74	372	414	996	1678

Torque

Size	Break Torque (kgf-cm)	(ΔP)					
		0 psi	45 psi	90 psi	150 psi	200 psi	275 psi
½"		13	13	13	13	13	13
¾"		16	16	16	16	16	16
1"		25	25	25	25	25	25
1½"		50	50	50	50	50	50
2"		90	90	90	100	120	156
2½"		130	130	130	143	170	236
3"		160	160	160	210	250	375
4"		200	200	200	260	420	670

Ordering Information

BA21	Code	Material
↓	1	Stainless Steel 304 / A351 Gr-CF8
	↓	Code
	↓	Connection Size (Flange rating ANSI 150LB)
		(A) ½" (B) ¾" (C) 1" (D) 1½" (E) 2" (F) 2½" (G) 3" (H) 4"
BA21		Complete Ordering Code