

ACCESSORIES FOR PRESSURE GAUGES

D1/D2/D3/D4/D5/D6/D7/D8/D9 Type – Gauge Damper



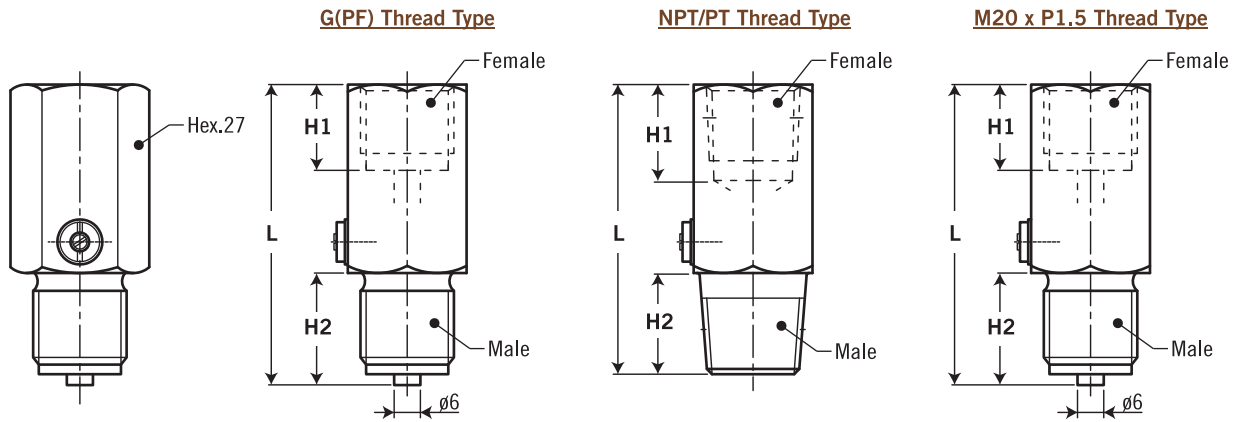
Max. Temperature: 120°C
Max. Pressure: 400 bar at 60°C

Type	Connection Thread
D1	G½" (G½" Female x G½" Male)
D2	½"NPT (½"NPT Female x ½"NPT Male)
D3	¼"NPT (¼"NPT Female x ¼"NPT Male)
D4	⅜"NPT (⅜"NPT Female x ⅜"NPT Male)
D5	G¼" (G¼" Female x G¼" Male)
D6	G⅜" (G⅜" Female x G⅜" Male)
D7	¼"PT (¼"PT Female x ¼"PT Male)
D8	⅜"PT (⅜"PT Female x ⅜"PT Male)
D9	M20 x P1.5 (M20*P1.5 Female x M20*P1.5 Male)

Parts Material

Body	SS316
Screw Plug	SS316
O-Ring	Viton
Adjusting Stem	SS316

Dimensions



Type	L	H1	H2
D1	64	18,5	23
D5	61	13,5	14,5
D6	61	16	18,5

Type	L	H1	H2
D2	61	19	19
D3	61	11	18
D4	61	16	18,5
D7	61	11	18
D8	61	16	18,5

Type	L	H1	H2
D9	64	18,5	23

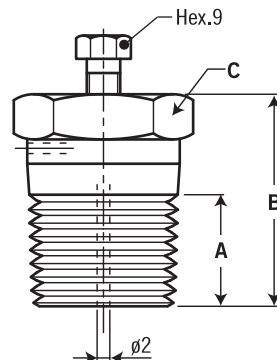
unit=mm

VT Type – Drain / Vent Valves



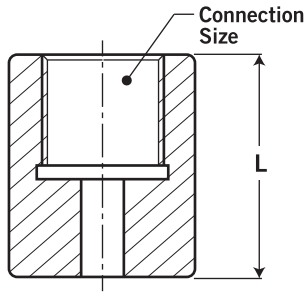
Drain/Vent Valves Material: SS316, and others on request
Max. Temperature: 250°C
Max. Pressure: 100 bar at 60°C

Dimensions



Connection Size	unit=mm		
	¼"NPT	⅜"NPT	½"NPT
A	10,2	10,4	13,6
B	27,5	27,5	30,0
C	16,0	19,0	25,0

WT Type – Welded-On Piece

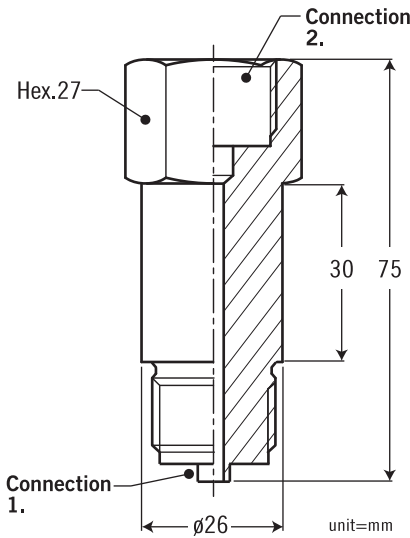


Select Table

Ordering Code	Connection Size	Material	Optional Length L	PN / Bar
WT-M4-CSS-__L	M20 x 1.5	C.S	35 / 60 / 90 mm	630
WT-G4-CSS-__L	G½"	C.S	35 / 60 / 90 mm	630
WT-M4-S6L-__L	M20 x 1.5	SS316L	35 / 60 / 90 mm	630
WT-G4-S6L-__L	G½"	SS316L	35 / 60 / 90 mm	630

unit=mm

GA Type – Gauge Adaptor (According to DIN 16281)

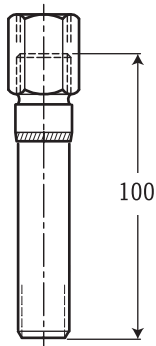


Select Table

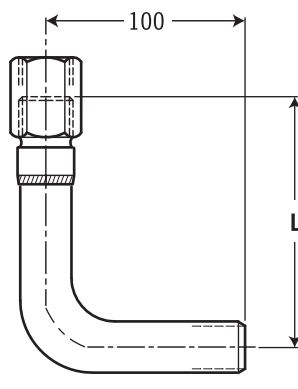
Ordering Code	Connection 1.	Connection 2.	Material
GA-G4G4-BRS	G½" Male	G½" Female	Brass
GA-G4G4-S6L	G½" Male	G½" Female	SS316L
GA-N4N4-BRS	½"NPT Male	½"NPT Female	Brass
GA-N4N4-S6L	½"NPT Male	½"NPT Female	SS316L

SP / SE Type – Syphon

SP Type
(Straight Pipe)



SE Type
(Elbow 90°)



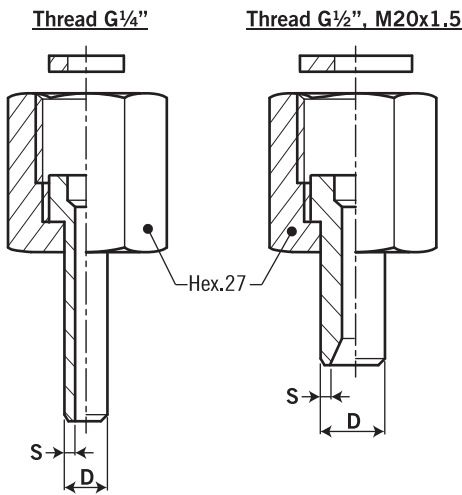
Select Table

Ordering Code	Tube	Inlet Size	Outlet Size	Material
SP-K-1-2-1	SCh40	Butt Weld End	G½"	SS304
SP-K-1-2-2	Seamless	½"	Adjusting Nut	SS316L
SP-H-1-2-1	SCh40	Butt Weld End	½"NPT(F)	SS304
SP-H-1-2-2	Seamless	½"		SS316L

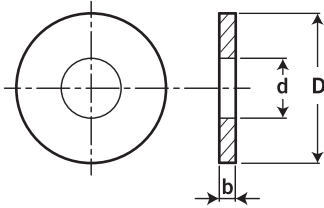
Ordering Code	Tube	Inlet Size	Outlet Size	L	Material
SE-K-1-2-1-100L	SCh40	Butt Weld End	G½"	100	SS304
SE-K-1-2-1-80L	Seamless	½"	Adjusting Nut	80	SS304
SE-K-1-2-2-100L	SCh40	Butt Weld End	G½"	100	SS316L
SE-K-1-2-2-80L	Seamless	½"	Adjusting Nut	80	SS316L

unit=mm

CK Type – Complete Kits for Nipples, Union Nuts, Sealing Washers



Sealing Washer (EN 837-1)



Technical Data

• Can be ordered separately.

Max. Working Pressure: Brass: 250 bar / SS316L: 400 bar

Select Table- Separate Parts or Complete Kits

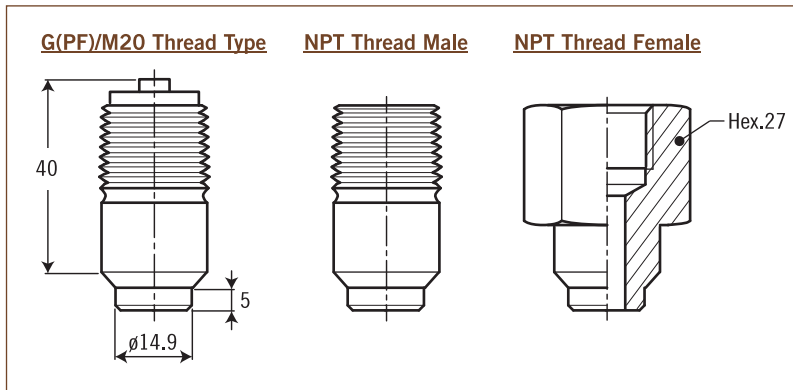
UNION NUT			NIPPLE			GASKET		COMPLETE KIT	
Size	Material	Order No.	D	S	Material	Order No.	Material		Order No.
G $\frac{1}{4}$ "	SS316L	U-G2-S6L-006*	$\phi 6$	1.75	SS316L	N-G2-S6L-006*	SS316L	G-G2-S6L-006	CK01
G $\frac{1}{2}$ "	Brass	U-G4-BRS-012*	$\phi 12$	1.5	Brass	N-G4-BRS-012*	Copper	G-G4-COP-012	CK02
G $\frac{1}{2}$ "	SS316L	U-G4-S6L-012*	$\phi 12$	1.5	SS316L	N-G4-S6L-012*	SS316L	G-G4-S6L-012	CK03
G $\frac{1}{2}$ "	SS316L	U-G4-S6L-014	$\phi 14$	2.5	SS316L	N-G4-S6L-014	SS316L	G-G4-S6L-014	CK04
M20x1.5	SS316L	U-M4-S6L-012	$\phi 12$	1.5	SS316L	N-M4-S6L-012	SS316L	G-M4-S6L-012	CK05
M20x1.5	SS316L	U-M4-S6L-014	$\phi 14$	2.5	SS316L	N-M4-S6L-014	SS316L	G-M4-S6L-014	CK06

(* According to DIN 16284.

Select Table- Sealing Washer (EN 837-1)

Connection Size	Dimensions (mm)			Material	Ordering Code
	D	d	b		
G $\frac{1}{4}$ "	9.3	5.7	1.5	Copper	SW-G2-COP
				SS316L	SW-G2-S6L
				PTFE	SW-G2-PTF
G $\frac{3}{8}$ "	13	5.7	2	Copper	SW-G3-COP
G $\frac{1}{2}$ "	17.3	6.4	2	Aluminum	SW-G4-ALU
				Copper	SW-G4-COP
				SS316L	SW-G4-S6L
				PTFE	SW-G4-PTF
M20 x 1.5	17.3	6.4	2	Aluminum	SW-M4-ALU
				Copper	SW-M4-COP
				SS316L	SW-M4-S6L
				PTFE	SW-M4-PTF

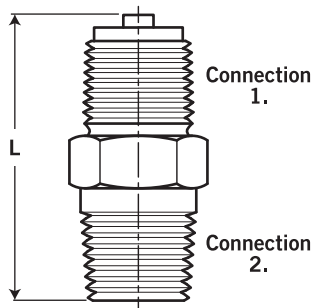
P1/P2/P3/P4/P5 Type– Pipe Connector (acc. to DIN 16282, Type 6)



Select Table

Type	Connection Thread	Material
P1	G $\frac{1}{2}$ " Male	SS316L
P2	G $\frac{1}{2}$ "-LH Male	SS316L
P3	M20 x 1.5- LH Male	SS316L
P4	$\frac{1}{2}$ "NPT Male	SS316L
P5	$\frac{1}{2}$ "NPT Female	SS316L

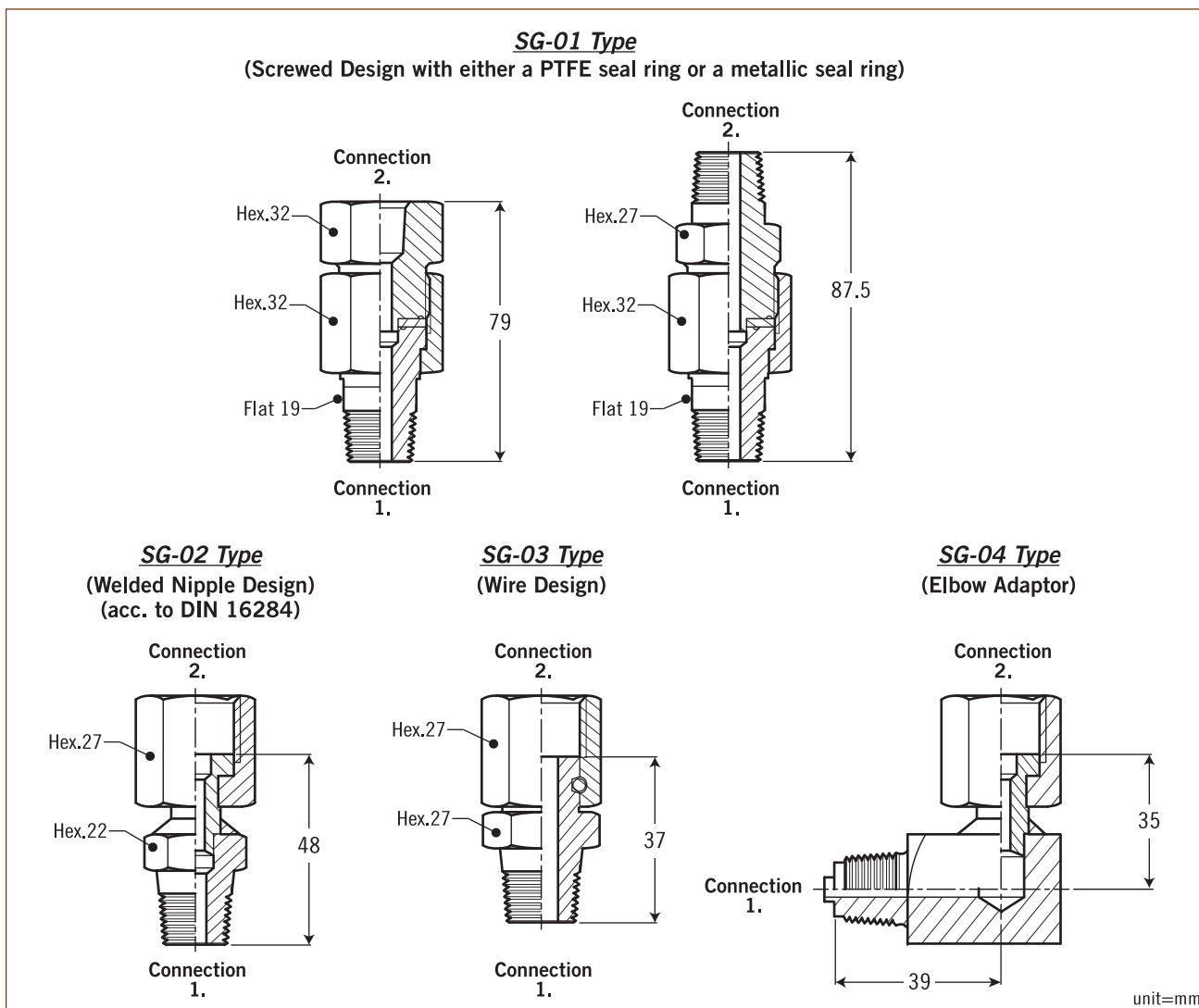
HMN Type – Hex. Nipple



Select Table

Ordering Code	Connection 1.	Connection 2.	Material	L
HMN-08-M4N4	M20 x 1.5 Male	$\frac{1}{2}$ "NPT Male	SS316L	50 mm
HMN-09-G4N4	G $\frac{1}{2}$ " Male	$\frac{1}{2}$ "NPT Male	SS316L	50 mm
HMN-10-G4N2	G $\frac{1}{2}$ " Male	$\frac{1}{4}$ "NPT Male	SS316L	45 mm
HMN-11-G4G2	G $\frac{1}{2}$ " Male	G $\frac{1}{4}$ " Male	SS316L	45 mm
HMN-12-G4G4	G $\frac{1}{2}$ " Male	G $\frac{1}{2}$ " Male	SS316L	50 mm

SG Type – Swivel Gauge Adaptors



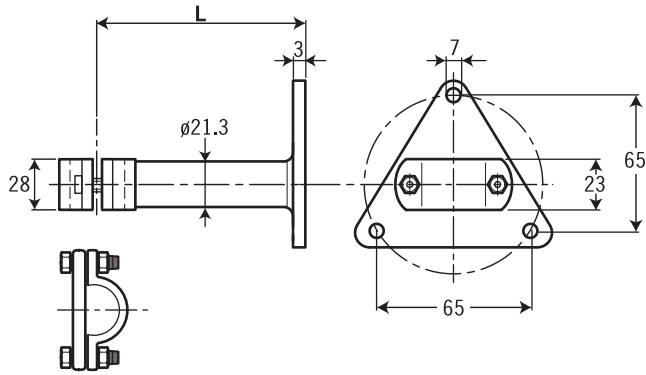
• The swivel gauge adaptors enable the easy positioning of the gauge in any direction through 360°.

Select Table

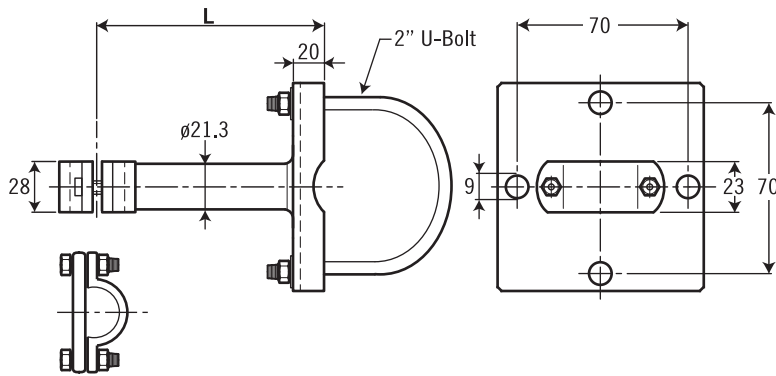
Type	Connction 1.	Connction 2.	Material		Ordering Code
			Body	Seal Ring	
SG-01	½"NPT(M)	½"NPT(F)	SS316L	PTFE	SG-01-N4N4-S6L-PTF
			Duplex		SG-01-N4N4-DUP-PTF
			Alloy 400		SG-01-N4N4-400-PTF
			Alloy C-276		SG-01-N4N4-276-PTF
			SS316L	SS316L	SG-01-N4N4-S6L-S6L
			Duplex	Duplex	SG-01-N4N4-DUP-DUP
			Alloy 400	Alloy 400	SG-01-N4N4-400-400
			Alloy C-276	Alloy C-276	SG-01-N4N4-276-276
SG-02	½"NPT(M)	½"NPT(M)	SS316L	PTFE	SG-02-N4N4-S6L-PTF
	½"NPT(M)	G½"Swivel Nut	SS316L	---	SG-02-N4G4-S6L-000
	½"NPT(M)	M20x1.5 Swivel Nut	SS316L	---	SG-02-N4M4-S6L-000
SG-03	½"NPT(M)	G½"Swivel Nut	SS316L	---	SG-03-N4G4-SL6-000
	G½"(M) DIN 3852-2	G½"Swivel Nut	SS316L	---	SG-03-G4G4-SL6-000
SG-04	G½"(M) EN 837-1	G½"Swivel Nut	SS316L	---	SG-04-G4G4-SL6-000

T & Q Type – Supports for Wall Mounting & 2" Pipe Mounting

T Type (Triangle Shape)



Q Type (Quadrate Shape)



Select Table

Type	L Length	Material	Mounting Method	Ordering Code
T	100mm	SS316	for Wall Mounting	T-100-W
Q	100mm	SS316	for Wall Mounting	Q-100-W
Q	100mm	SS316	for 2" Pipe Mounting	Q-100-P

Assembled Diagram

