

PNEUMATIC LEVEL SWITCH IP66

ALS-500

Proof Pressure to 1000psi
Temperature: -30 to 205°C

The New-Flow ALS-500, a water proof level switch, is designed to be used in level systems. ALS-500 has high set point repeatability and narrow dead band features. Easily adjusted to the set point, no special tools needed!



Approvals:

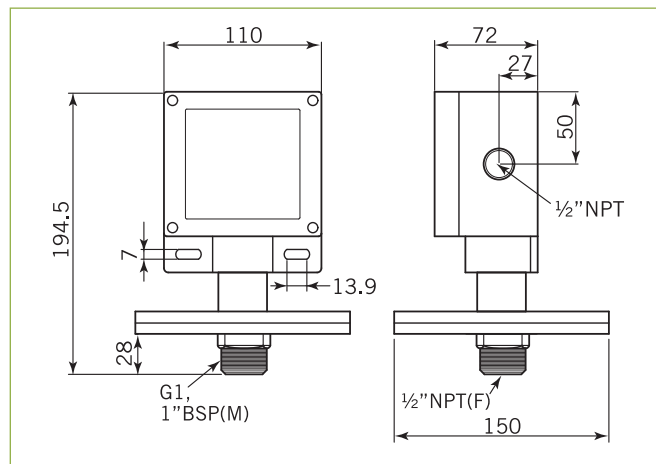


Switches with UL & CSA Recognized and File No. E12252.

Technical Data

- Switch Data:** one SPDT microswitch, 20amps 125/250V
- Housing:** die cast aluminum alloy with paint
- Housing Enclosure:** IP66
- Conduit Connection:** 3/4", 1/2" NPT female
- Pressure Element:** Diaphragm type
- Proof Pressure:** 1000 psi
- Temperature:** -30 to 205°C
- Process Materials:** wetted parts are all in SS316
- Process Connection:** Male G1 (1" BSP), Female 1/2" NPT, Detected pipe size 1/2", Length 0.2~5 meters
- Control Functions:** Please refer to the "Level Length Table". Select type: Nob A, B, C, E, F are available for setting level length. Fix type: Section G, H, I are available for setting level length

Dimensions-mm



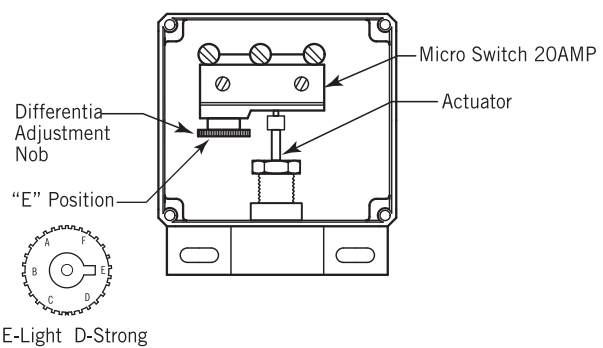
Control Functions

Level Length Table For Actuate & Deactuate

(A). Select Type

Set On Micro Switch Nob	The Length of Set Point to Actuate, Deactuate (mm)		
	Code	Actuate (ON)	
E	150	50	±5
F	200	50	±5
A	380	50	±5
B	550	50	±5
C	760	60	±5

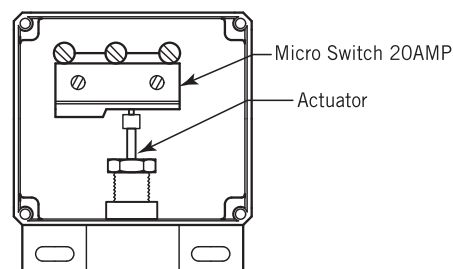
NOTE.: Nob "D" is unavailable for using.



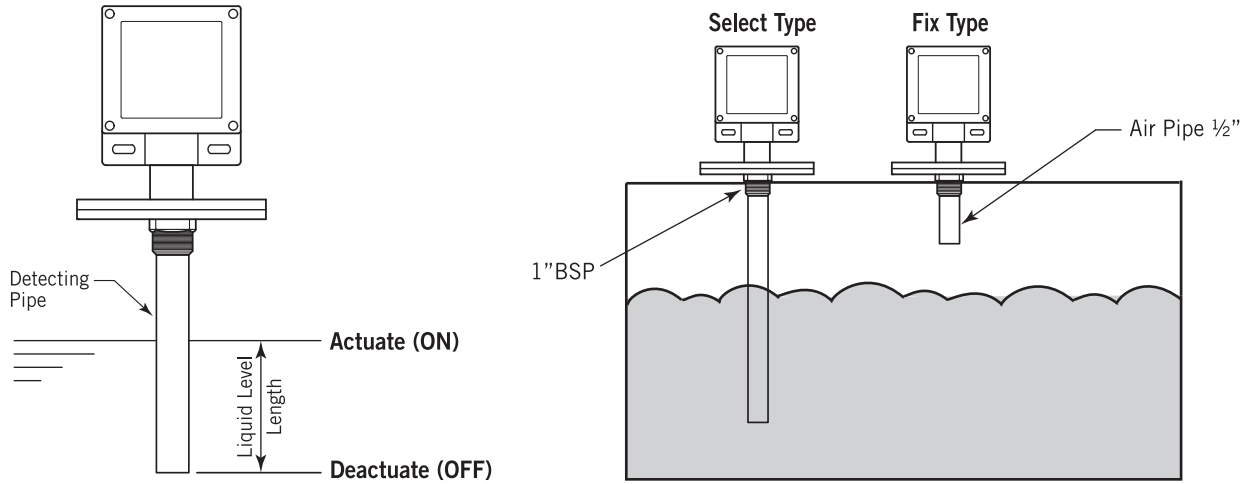
E-Light D-Strong

(B). Fix Type

Set Section	The Length of Set Point to Actuate, Deactuate (mm)		
	Code	Actuate (ON)	
G	60	40	±5
H	80	50	±5
I	130	80	±5

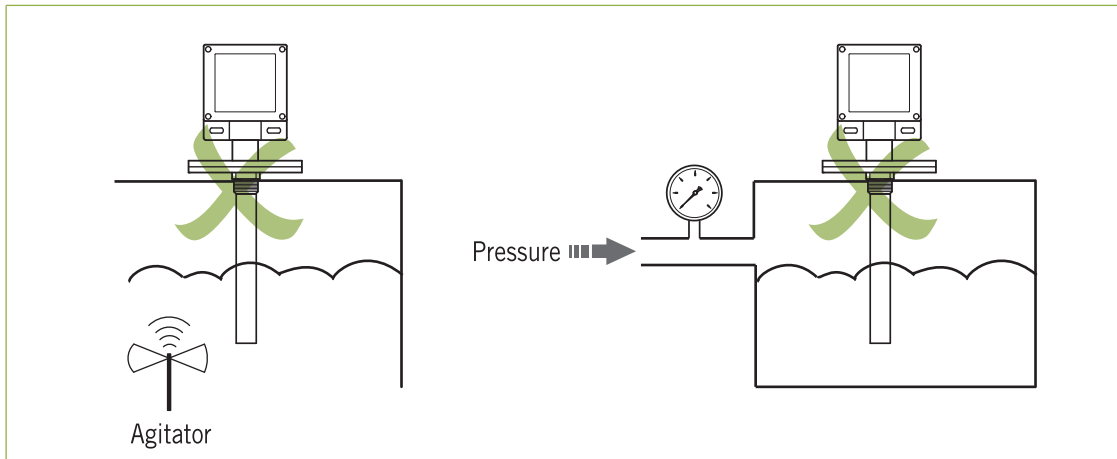


Mounting Method



Notice

1. Do Not locate closed by agitator or liquid inlet/outlet. The operation will be unstable.
2. Do Not install this switch on the pressurized tank.



Ordering Information

ALS-500	Code	Control Function		
	A	Select Type	B Fix Type	
		Code	Level Length	
		Please refer to the Level Length Table, and directly fill in request range code. (e.g. H)		
		Code	Wetted Part Material	
		A	SS316	
		Code	Process Connection	
		(1)	male G1 (1" BSP)	
		Code	Conduit Connection	
		(E)	3/4" NPT Female (F) 1/2" NPT Female, standard	
		Code	Switch Form	
		1	one SPDT	
ALS-500				Complete ordering code

Ordering Information Sample:

Model	Control Function	Level Length	Wetted Parts Material	Process Connection	Conduit Connection	Switch Form
ALS-500	A	H	A	1	F	1