

DIFFERENTIAL PRESSURE GAUGE

DPH SERIES

Combine With Switch Available
 Weather Proof, Piston Type
 Range Available:
 0-1-70 kg/cm² (0-14-1000 PSI)



DPH series consist of high and low pressure ports. Spring magnet couple with pointer. Differential pressure indicated on dial due to ΔP pressure of high side and low side be made from magnet couple with pointer. It could combine with reed switch for using in controller system.

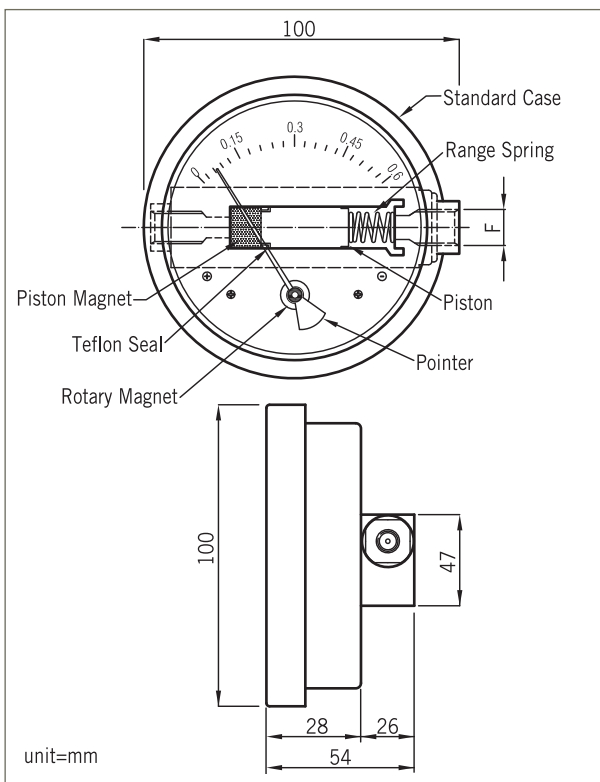
Technical Data

- Dial Size: Ø4"
- Accuracy: ±2%F.S. (Ascending)
- Housing: 304 Stainless Steel
- Pressure Element: wetted parts all in SS316
- Process Connection: ¼" NPT Female
- Working Pressure: 200 kg/cm²
- Working Temperature: 80°C

Range Selection Table

Code	Adjustable Range		Code	Adjustable Range	
	psi	kg/cm ²		psi	kg/cm ²
09R	0~9	0~0.6	450R	0~450	0~30
11R	0~11	0~0.75	600R	0~600	0~40
14R	0~14	0~1	700R	0~700	0~50
30R	0~30	0~2	850R	0~850	0~60
40R	0~40	0~2.5	1000R	0~1000	0~70
60R	0~60	0~4			
100R	0~100	0~7			
140R	0~140	0~10			
200R	0~200	0~14			

Dimensions



Ordering Information

DPH	Code	Range													
		09R	0~9psi	14R	0~14psi	40R	0~40psi	100R	0~100psi	200R	0~200psi	600R	0~600psi	850R	0~850psi
		11R	0~11psi	30R	0~30psi	60R	0~60psi	140R	0~140psi	450R	0~450psi	700R	0~700psi	1000R	0~1000psi
		Code	Wetted Parts Material												
		A	SS316												
		Code	Process Connection												
			(1) ¼" NPT Female												
DPH															

Complete Ordering Code