

DIGITAL PRESSURE GAUGE 3"

DPG3000T

Pressure Unit Choices Available: psi-Bar-MPa
Analog Signal, NPN Limit Switch Available
Zero Offset
LCD Digital Display
ISO 9001

The New-Flow DPG3000T Digital Pressure Gauge offers $\pm 0.5\%$ full scale accuracy, while SS316 wetted part provides a variety of applications in media of fluids and gases for the industrial field and the commercial field.

Technical Data

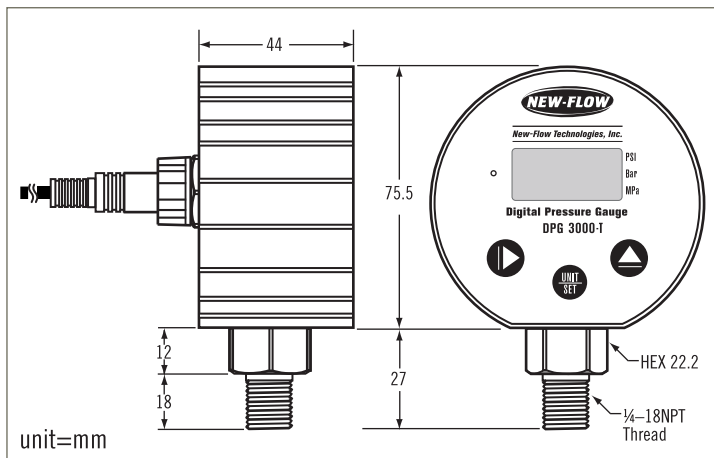
- Peak Hold zero adjustment**
- Accuracy:** $\pm 0.5\%$ of full scale ($\pm 1\%$ of full scale for 15 & 50 psi)
- LCD Display:** 30X 14.5cm, with 4 digits
- Dimension:** 3", H11.5 X W4.5cm
- Operating Temperature:** -10 to 60°C
- Over Pressure:** 2 times of F.S.
- Process Connections:** 1/4" NPT Male, standard
- Connection Material:** SS316
- Multiple Pressure Limit:** Psi, Bar, MPa
- Power Supply:** 10~30 VDC
- Output Mode:** 4~20mA with NPN limit switch



Range Table

Pressure Range	Accuracy	Resolution		
		PSI	Bar	MPa
15 PSI	Tpy. $\pm 1\%$ F.S.	0.01	0.001	0.001
50 PSI	Tpy. $\pm 1\%$ F.S.	0.01	0.001	0.001
100 PSI	Tpy. $\pm 0.5\%$ F.S.	0.01	0.001	0.001
200 PSI	Tpy. $\pm 0.5\%$ F.S.	0.1	0.01	0.001
300 PSI	Tpy. $\pm 0.5\%$ F.S.	0.1	0.01	0.001
500 PSI	Tpy. $\pm 0.5\%$ F.S.	0.1	0.01	0.001
1000 PSI	Tpy. $\pm 0.5\%$ F.S.	0.1	0.01	0.001
3000 PSI	Tpy. $\pm 0.5\%$ F.S.	0.1	0.1	0.01
5000 PSI	Tpy. $\pm 0.5\%$ F.S.	0.1	0.1	0.01

Dimensions



Ordering Information

DPG3000T	Code	Pressure Range						
		(1) 15psi (2) 50psi (3) 100psi (4) 200psi (5) 300psi (6) 500psi (7) 1000psi (8) 3000psi (9) 5000psi						
		<table border="1"> <thead> <tr> <th>Code</th> <th>Connection port</th> </tr> </thead> <tbody> <tr> <td>U</td> <td>1/4"NPT</td> </tr> <tr> <td>S</td> <td>Customized</td> </tr> </tbody> </table>	Code	Connection port	U	1/4"NPT	S	Customized
Code	Connection port							
U	1/4"NPT							
S	Customized							
		<table border="1"> <thead> <tr> <th>Code</th> <th>Power Supply</th> </tr> </thead> <tbody> <tr> <td>A</td> <td>10~30 VDC</td> </tr> </tbody> </table>	Code	Power Supply	A	10~30 VDC		
Code	Power Supply							
A	10~30 VDC							
		<table border="1"> <thead> <tr> <th>Code</th> <th>Output Signal</th> </tr> </thead> <tbody> <tr> <td>(1)</td> <td>4~20mA with NPN limit switch</td> </tr> </tbody> </table>	Code	Output Signal	(1)	4~20mA with NPN limit switch		
Code	Output Signal							
(1)	4~20mA with NPN limit switch							
DPG3000T		Complete Ordering Code						