

# THREAD TYPE DIAPHRAGM SEAL

## DT103

DT-103 diaphragm seal is designed to be used in highly viscous process industries. It is easy to assemble with pressure gauges, pressure switches, and pressure instruments.

### Technical Data

**Instrument connection:** female thread 1/4" to 1/2" BSP or NPT

**Process connection:** 1/2" to 2" BSP male thread

**Temperature limited:** -40~+150°C

**Pressure range limited:** (for pressure gauge)

| Size                                  | 1/2"  | 3/4"  | 1"   | 1 1/2" | 2"      |
|---------------------------------------|-------|-------|------|--------|---------|
| MINIMUM LIMITED (kg/cm <sup>2</sup> ) | 0~25  | 0~10  | 0~4  | 0~1.6  | -1~+1.5 |
| MAXIMUM LIMITED (kg/cm <sup>2</sup> ) | 0~350 | 0~200 | 0~60 | 0~40   | 0~25    |

**Material:** body-SS316(standard)

Option: SS316L, Hastelloy C276, and others on request

**Membrane:** SS316L(standard)

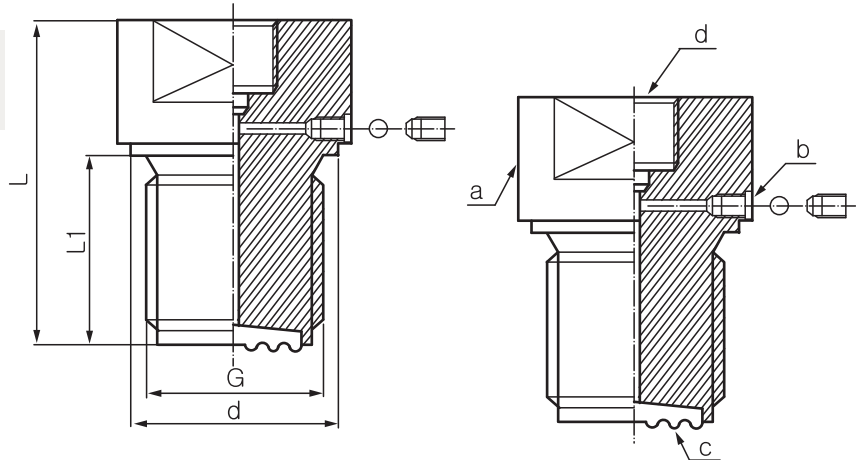
Option: Hastelloy C276, tantalum and others on request



### Dimensions

| Item | Description of Parts  |
|------|-----------------------|
| a    | Body housing          |
| b    | Filling port          |
| c    | Membrane              |
| d    | Instrument connection |

**NOTE**  
Performance Technical Data are effective with date of issue and are subject to change without prior notice.



unit=mm

### Dimensional Data

| G  | 1/2" BSP | 3/4" BSP | 1" BSP | 1 1/2" BSP | 2" BSP |
|----|----------|----------|--------|------------|--------|
| d  | -        | 32       | 39     | 55         | 68     |
| L  | 55       | 56       | 55     | 65         | 70     |
| L1 | 20       | 20       | 21     | 30         | 30     |

### Ordering Information

| DT103 | Code | Instrument Connection (Female)  |
|-------|------|---|
|       |      | (A) 1/4" BSP (B) 1/4" NPT (C) 3/8" BSP (D) 3/8" NPT (E) 1/2" BSP (F) 1/2" NPT |
|       |      | <b>Code</b> <b>Process connection (Male)</b>                                  |
|       |      | (1) 1/2" BSP (2) 3/4" BSP (3) 1" BSP (4) 1 1/2" BSP (5) 2" BSP (6) Option     |
|       |      | <b>Code</b> <b>Body housing material</b>                                      |
|       |      | (S) SS316(standard) (O) Option  |
|       |      | <b>Code</b> <b>Membrane Material</b>  |
|       |      | (1) SS316L (2) Hastelloy C276 (3) Tantalum (4) Option                         |
| DT103 |      | Complete ordering code  |