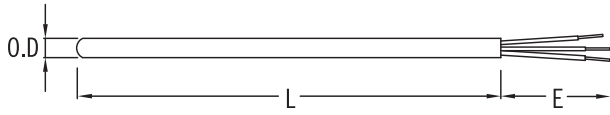
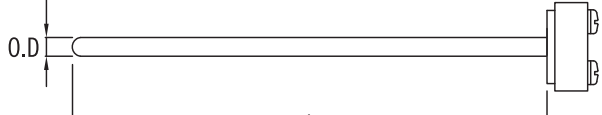
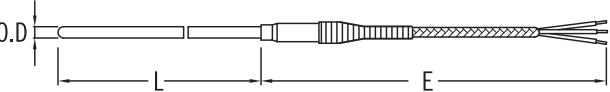
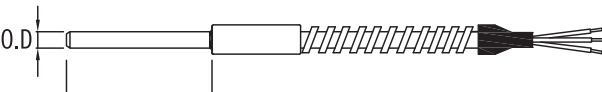
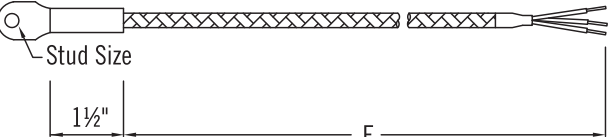
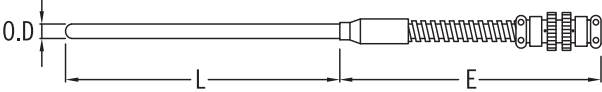
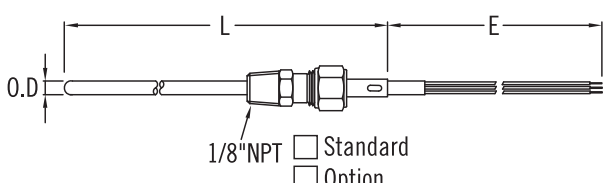
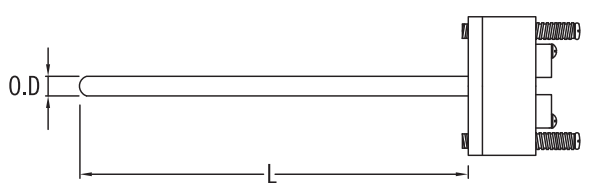
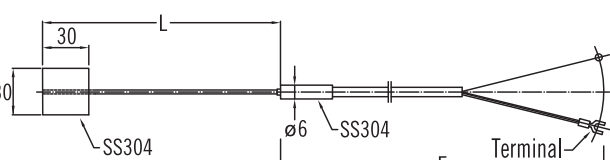
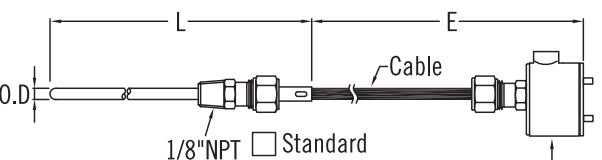


# GENERAL RTD

GRA	GRB
	
GRC	GRD
	
GRE	GRF
	
GRG	GRH
	
GRI	GRJ
	

Ordering Information

<b>Model</b>	GRA	GRB	GRC	GRD	GRE	GRF	GRC	GRH	GRI	GRJ
	<b>Code</b>	<b>Sensor Dimensions "O.D" mm</b>								
		(1) 1.6 (2) 3.2 (3) 4.8 (4) 6.4 (5) 8.0 (6) 9.0 (7) 12.75 (0) option								
	<b>Code</b>	<b>Sheath Material</b>								
	A	SS316	0	Option						
	<b>Code</b>	<b>Element Type</b>								
	1	PT100								
	<b>Code</b>	<b>Element No</b>								
	S	Single			D		Double			
	<b>Code</b>	<b>Sensor Class</b>								
		(1) Class A (2) Class B								
<b>Code</b>	<b>Sensor insersion Length "L"</b>									
	Please directly fill in requesting length (mm).									
<b>Code</b>	<b>Lead Wire Length "E"</b>									
	Please directly fill in requesting length (mm).									
	<b>Complete Ordering Code</b>									