

# ACRYLIC PLASTIC FLOW METER

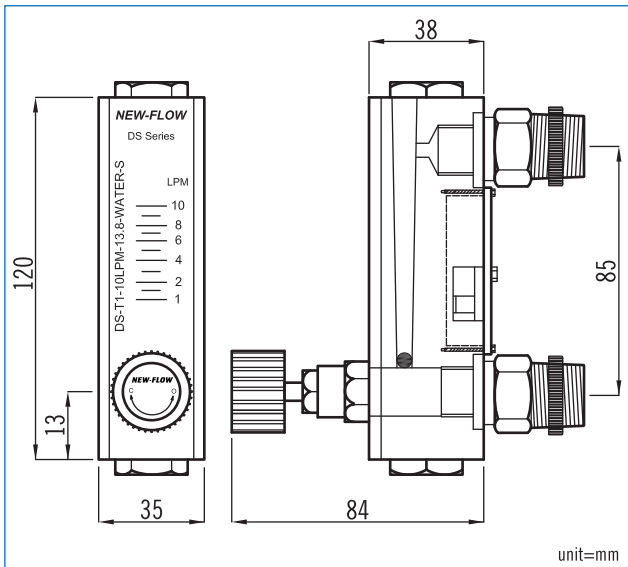
## With Alarm Switch DS SERIES *with needle valve type without needle valve type*

### Technical Data

- Service:** Water, Air
- Wetted parts material:** Body-Acrylic Plastic O-ring-NBR, Viton Float-magnet coating with Nickel
- Connecting material:** SS316
- Connecting size:** 1/4", 3/8" NPT & 3/8"PT female available
- Mounting:** vertical position
- Temperature & pressure limits:** 150 psig(10bar) @ 100°F(38°C)
- Temperature limit:** -24°C~+54°C
- Accuracy:** ±5% full scale
- Alarm switch:** one or two setting points, form A N.O. type bistable switch
- Switch rating:** AC 125V 0.5A / DC 100V 10W / Max. DC 250V<1mA
- Weight:** 0.12 kg
- (Contact setting point should be within 10% to 80% of FS)



### Dimensions



### Flow Direction Types



### Ordering Information

DS	Code	Needle Valve
		(1) With (2) Without
		<b>Code</b> <b>Flow Range</b>
	A	Water
	LPH	(1)2~180 (2)25~250 (3)30~300 (4)40~500
	LPM	(5)0.35~3 (6)0.4~4 (7)0.5~5 (8)0.8~8
	B	Air
	LPM	(9)8~80 (10)10~100 (11)25~250
		<b>Code</b> <b>Alarm Switch</b>
	1R	One setting point
	2R	Two setting points
	0	Without alarm
		<b>Code</b> <b>Process Connection</b>
	A	1/4" NPT Female
	B	3/8" NPT Female
	C	3/8" PT Female
		<b>Code</b> <b>Flow Direction</b>
	BT	Bottom to Top
DS		