

ACRYLIC PLASTIC FLOW METER

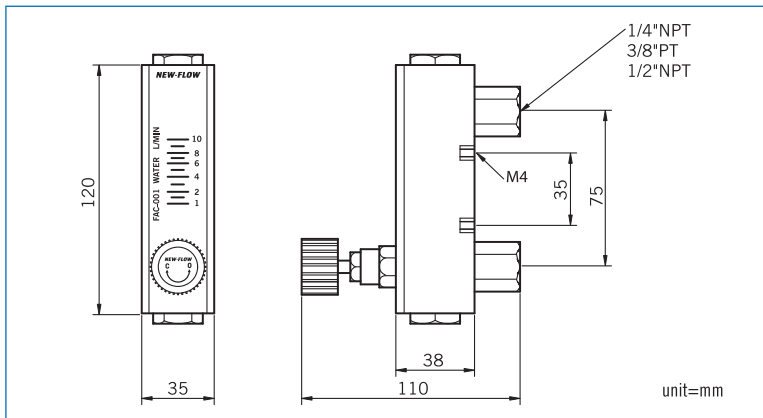
FAC SERIES

Technical Data

Service: gas & liquid
Wetted parts material:
 Body- Acrylic Plastic
 O-ring- NBR, Viton
 Float- SS316, Brass
Valve material: SS316, Brass available
Connection material: SS316, Brass available
Temperature & pressure limits:
 150 psig(10bar) @ 100°F(38°C)
Temperature limit: 0°C~54°C
Accuracy: 3% full scale
Mounting: vertical position
Weight: 0.45~0.5kg



Dimensions



Range Table

Water	
FAC-001	1~10 L/M
FAC-003	0.8~8 L/M
FAC-005	0.5~5 L/M
Air	
FAC-002	2~20 Nm ³ /H
FAC-004	1.6~16 Nm ³ /H
FAC-006	1~10 Nm ³ /H

Ordering Information

FAC	Code	Flow Range
	001	1~10 L/M (water)
	002	2~20 Nm ³ /H (air)
	003	0.8~8 L/M (water)
	004	1.6~16 Nm ³ /H (air)
	005	0.5~5 L/M (water)
	006	1~10 Nm ³ /H (air)
	007	Option
	Code	Connection & valve material
	S	SS316
	B	Brass
	Code	Connection size
	1	1/4" NPT
	2	3/8" PT
	3	1/2" NPT
	4	Option
	Code	O-ring material
	N	NBR
	V	Viton
FAC		Complete Ordering Code