

ACRYLIC PLASTIC FLOW METER

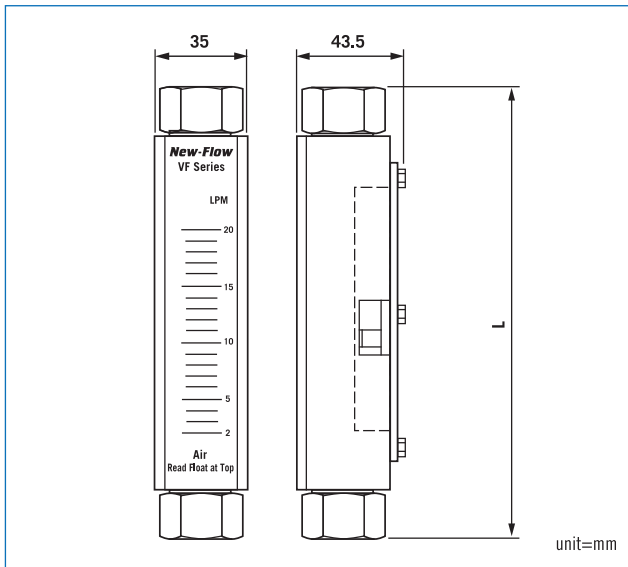
VF SERIES *with alarm switch type* *without alarm switch type*

Technical Data

Service: Water, Air
Wetted parts material: Body-Acrylic Plastic O-ring-NBR, Viton Float-magnet coating with Nickel
Connection material: SS316
Connection size: 3/8", 1/2", 3/4" NPT female available
Mounting: vertical position
Temperature & pressure limits: 150 psig(10bar) @ 100°F(38°C)
Temperature limit: -24°C~+54°C
Accuracy: ±5% full scale
Alarm switch: one or two setting points, form A N.O. type bistable switch
Switch rating: AC 125V 0.5A / DC 100V 10W / Max. DC 250V<1mA
Weight: 0.12 kg
 (Contact setting point should be within 10% to 80% of FS)



Dimensions



Flow Direction Types



Ordering Information

VF	Code	Flow Range
↓	A	Water
	LPH	(1) 6~60 (2) 10~140 (3) 25~250 (4) 60~360
	LPM	(5) 0.1~1 (6) 0.2~2 (7) 0.4~4 (8) 1~6 (9) 1~10
↓	B	Air
	LPM	(10) 2~20 (11) 6~60 (12) 12~120 (13) 20~200 (14) 40~400
	Code	Alarm Switch
	1R	One setting point
	2R	Two setting points
	0	Without alarm
	Code	Process Connection in Female
	A	3/8"NPT (L=150mm)
	B	1/2"NPT (L=150mm)
	C	3/4"NPT (L=162mm)
	Code	Flow Direction
	BT	Bottom to Top
↓	VF	Complete ordering code