

ACRYLIC PLASTIC FLOW METER

OEM AVAILABLE OA SERIES



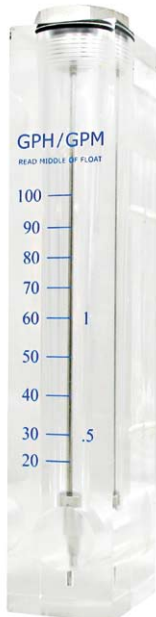
OA-1

OA-2

OA-3



OA-4



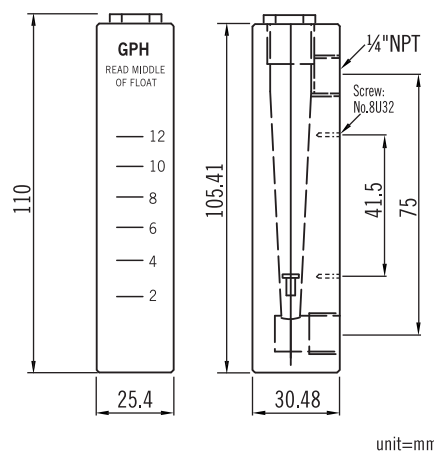
OA-5

Technical Data

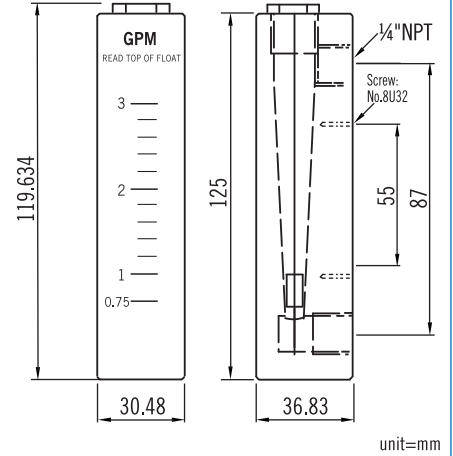
Service: water or liquid
Wetted parts material: Body-Acrylic, O-ring- EPDM
Float Guide: Top plug 304 stainless steel
Temperature & pressure limits:
 120 psig (8.4 bar) @100°F (38°C)
Temperature limited: 0-45°C
Accuracy: ±3% full scale
Mounting: vertical position

Dimensions

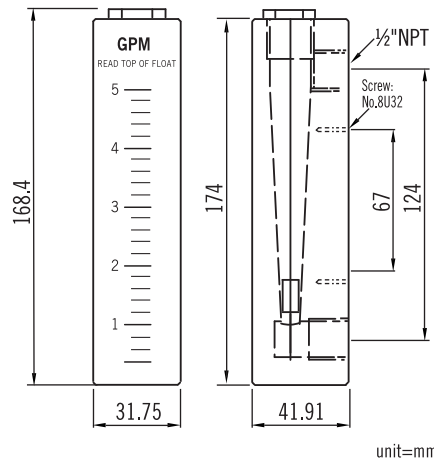
OA-1 & OA-2 Type



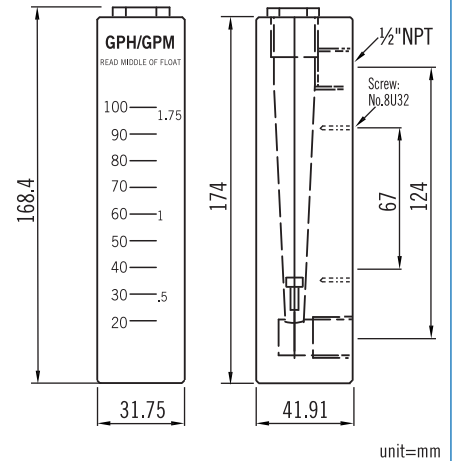
OA-3 Type



OA-4 Type



OA-5 Type



Range Table

Model	Range	Connection Size
OA-1	0~12 GPH Water	1/4"NPT Female
OA-2	0~30 GPH Water	1/4"NPT Female
OA-3	0~3 GPM Water	1/4"NPT Female
OA-4	0~5 GPM Water	1/2"NPT Female
OA-5	0~100 GPH Water	1/2"NPT Female

NOTE:

1. A expert flow meter manufacturer.
 2. Any size flow range are available.
- Please fax this sheet along with your inquiry to 886-7-8225588.

Special instruction, if any:
