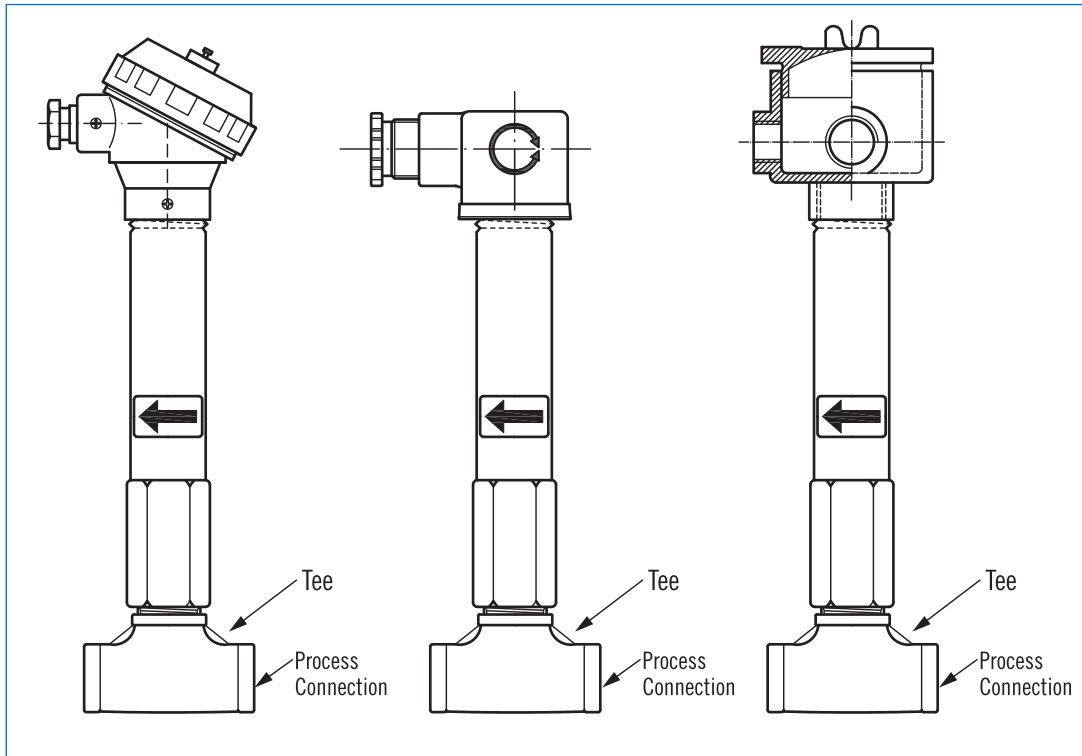


Flow Rate Table

Process Connection (male)	Flow Rates Required Water at 25°C	
	Acuate(on) ℓ /hour	Deacuate(off) ℓ /hour
½"NPT	190,...210	130,...150
¾"NPT	320,...350	250,...270
1"NPT	435,...450	385,...395

With Tee Drawings



Ordering Information

Model	FS-20R	FS-20 DIN	FS-20X
↓	Code	Process Connection	
	A	With Tee (Material: SS316)	
		(1) ½"NPT (2) ¾"NPT (3) 1"NPT	
	B	Without Tee	
	(4) ½"NPT (5) ¾"NPT (6) 1"NPT		
↓	↓	Complete ordering code	
<input type="text"/>	<input type="text"/>		