

FLOW SWITCH FS30R FS30RB-BRASS FS30RS-STAINLESS STEEL

Easy Installation
Wide Range Pipe Size Selections

Technical Data

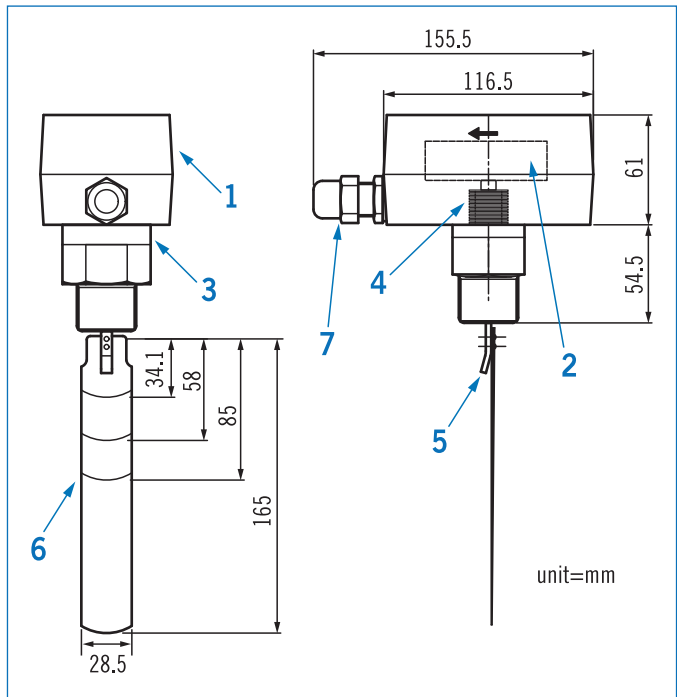
- Protection class: IP65
- Process Connection: 1"NPT male
- Material: Housing: Plastic (Other wetted part: brass or stainless steel)
- Application: Liquid
- Installation: Easily mounted directly in a pipe
- Pipe size range: 25~200 (1"~8"), large size is available
- Adjustable set point: Available (according to flow rate table)
- Microswitch: SPDT, 15A 125, 250V 480 VAC, ½A 125 VDC, ¼A 250 VDC
- Conduit Connection: PG11, other thread available with adaptor
- Temperature Limit: -30~+120°C
- Pressure Limit: 20 kg/cm² — stainless steel; 10 kg/cm² — brass



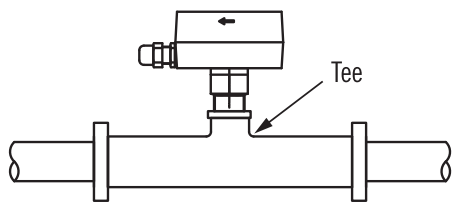
Flow Rate Table (For Acuate & Deactuate)

Pipe Size	Flow Rates Required to Actuate, Deactuate Litter per Hour (L/H) Water at 25°C			
	Acuate (on)		Deactuate (OFF)	
	FS-30RB	FS-30RS	FS-30RB	FS-30RS
1"	23~40	26~45	14~35	16~39
1¼"	38~64	42~70	22~64	24~71
1½"	49~88	54~97	27~74	30~82
2"	72~125	80~137	36~91	40~100
2½"	92~160	100~176	44~140	48~154
3"	114~198	125~218	46~173	51~190
4"	151~279	166~307	75~243	82~267
5"	223~436	245~480	111~349	122~384
6"	300~629	330~690	150~466	165~512
8"	770~1560	847~1715	643~1480	707~1620

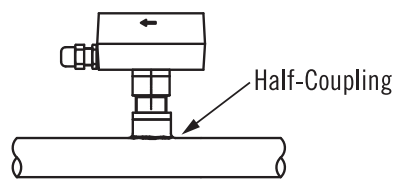
Dimensions



Installation Instruction



With Tee



With Welded Half-Coupling

Material List

Item		FS-30RB	FS-30RS
1	Housing	plastic	plastic
2	Switch mechanism	Microswitch unit	Microswitch unit
3	Connection	brass	SS316
4	Bellows	brass	SS316
5	Paddle guide	brass	SS316
6	Paddle	SS301	SS301
7	Conduit	plastic	plastic