

FLOW SWITCH FS40R *FS40RB—BRASS* *FS40RS—STAINLESS STEEL*

Easy Installation
For Small Pipe Application

Technical Data

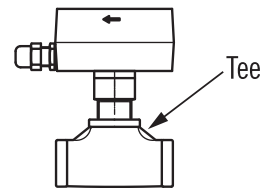
Protection class: IP65
 Process Connection: 1/2", 3/4" Female (Tee)
 Material: Housing: Plastic (Other wetted part: brass or stainless steel)
 Application: Liquid
 Installation: Easily mounted directly on pipe line
 Adjustable set point: Available (according to flow rate table)
 Microswitch: SPDT, 15A 125, 250V 480 VAC, 1/2A 125 VDC, 1/4A 250 VDC
 Conduit Connection: PG11, other thread available with adaptor
 Temperature Limit: -30~+120°C
 Pressure Limit: 20 kg/cm² — stainless steel; 10 kg/cm² — brass



Flow Rate Table (For Acuate & Deactuate)

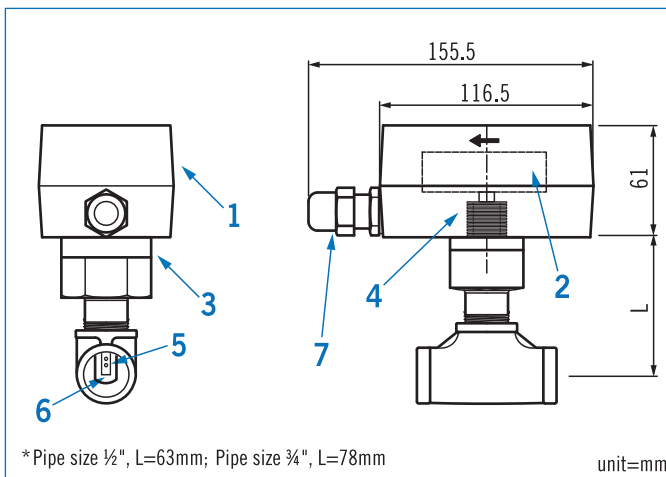
Flow Rates Required to Actuate, Deactuate Litter per Hour (L/H) Water at 25°C				
Pipe Size	Acuate (on)		Deactuate (OFF)	
	FS-40RB	FS-40RS	FS-40RB	FS-40RS
1/2"	590~600	610~630	370~390	390~410
3/4"	760~780	790~810	465~480	490~520

Installation Instruction



With Tee

Dimensions



Material List

Item		FS-40RB	FS-40RS
1	Housing	plastic	plastic
2	Switch mechanism	Microswitch unit	Microswitch unit
3	Connection	brass	SS316
4	Bellows	brass	SS316
5	Paddle guide	brass	SS316
6	Paddle	SS301	SS301
7	Conduit	plastic	plastic