

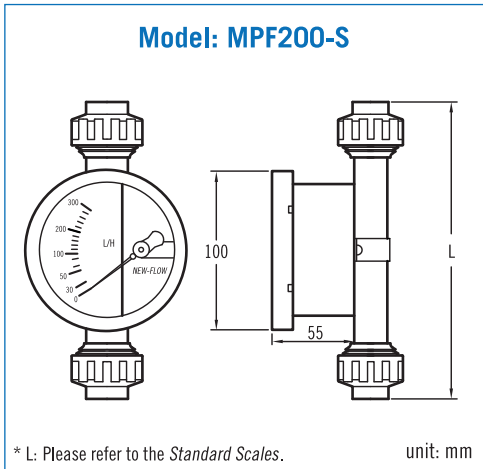
PLASTIC TUBE FLOW METER MPF200

Technical Data

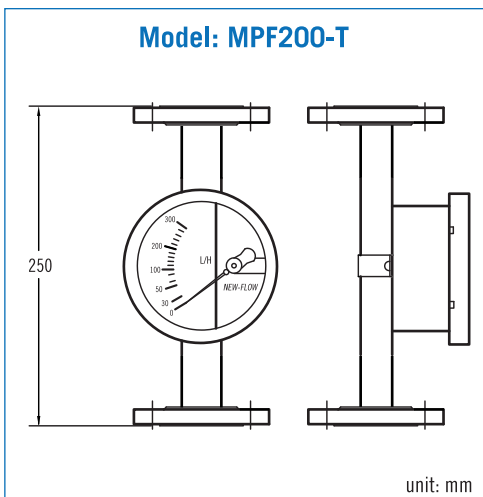
Service: Air, gases, water, waste water and other liquid
Material: Case-SS316; Body-PVC, CPVC; Float-SS316
Indication: via magnetic coupling (no seals)
Scales: calibrated in l/h, m³/h, kg/h, %
Flow rate: water-0.4 l/h up to 1,000 l/h,
 Air-21 NL/h up to 30,000 NL/h
Connection types: BSP, NPT, flange type on request
Max. working temperature: PVC - 40°C; CPVC - 0°C~60°C
Max. working pressure: Standard 20 kg/cm²;
 other options upon request
Connection size: 1/4" ~ 3/4" NPT or BSP; Flange type on request
Protection class: IP65
Accuracy: ± 2% FS (± 1.6% FS option)



Dimensions

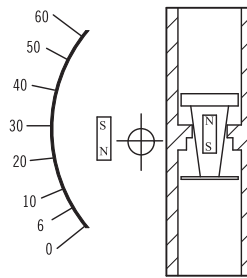


MPF200-S
 Basic Model:
 Thread connection



MPF200-T
 Flange Model:
 flange connection

Principle



Standard Scales

A. Float Material: SS316

L/H 20°C Water	NL/H Air 20°C 1.013 bar	ΔPmm Water	BSP/NPT	Thread Type L (mm)
0.4 ~ 4	21 ~ 210	340	1/2"	158
0.6 ~ 6	33~330	340	1/2"	158
1 ~ 10	48~480	340	1/2"	158
1.5 ~ 15	60~600	340	1/2"	158
2 ~ 20	72~720	340	1/2"	158
3 ~ 30	90~900	340	1/2"	158
5 ~ 50	120~1200	340	1/2"	158
6 ~ 60	180~1800	340	1/2"	158
10 ~ 100	300~3000	340	1/2"	158
15 ~ 150	500~5000	340	1/2"	158
25 ~ 250	750~7500	340	1/2"	158
40 ~ 400	1200~12000	340	1/2"	158
60 ~ 600	1800~18000	340	1/2"	158
75~750	2000~20000	340	1/2" & 3/4"	175
100 ~ 1000	3000~30000	340	1/2" & 3/4"	175

NOTE
 Performance Technical Data are effective with date of issue and are subject to change without prior notice.

