

FLOW CONSTANT VALVE FOR PURGE METER

GVA/CVD

Technical Data

The CVA series is used in where the pressure at the inlet is variable and the pressure at the outlet is constant.

The CVD series is used in where the pressure at the inlet is constant and the pressure at the outlet is variable.

Flow rate:

Liquid: Maximum 200 cc/min water, bigger than it on request

Gas: Maximum 30 Nl/min air, bigger than it on request

Process connection: 1/4"NPT Female, others on request

Temperature limit: 120°C max.

Pressure limit: 10 kg/cm², bigger than it on request

Controllable differential pressure: Air minimum-0.02 kg/cm²

Maximum-4 kg/cm², liquid minimum-0.2 kg/cm²

Maximum-4 kg/cm², special range on request

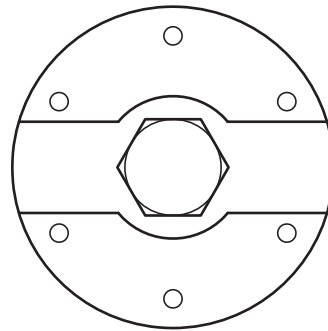
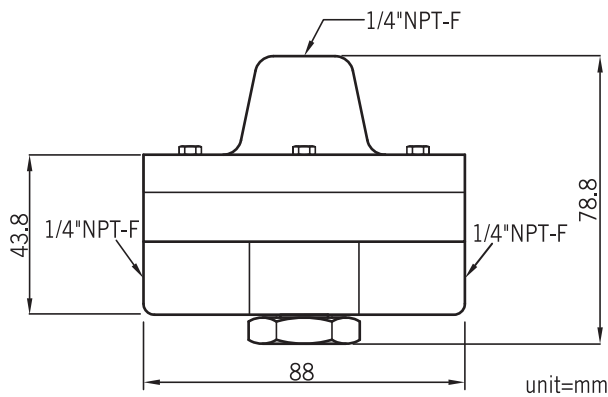
Accuracy: ±5% F.S.

Material: Body and metal parts-316 stainless steel

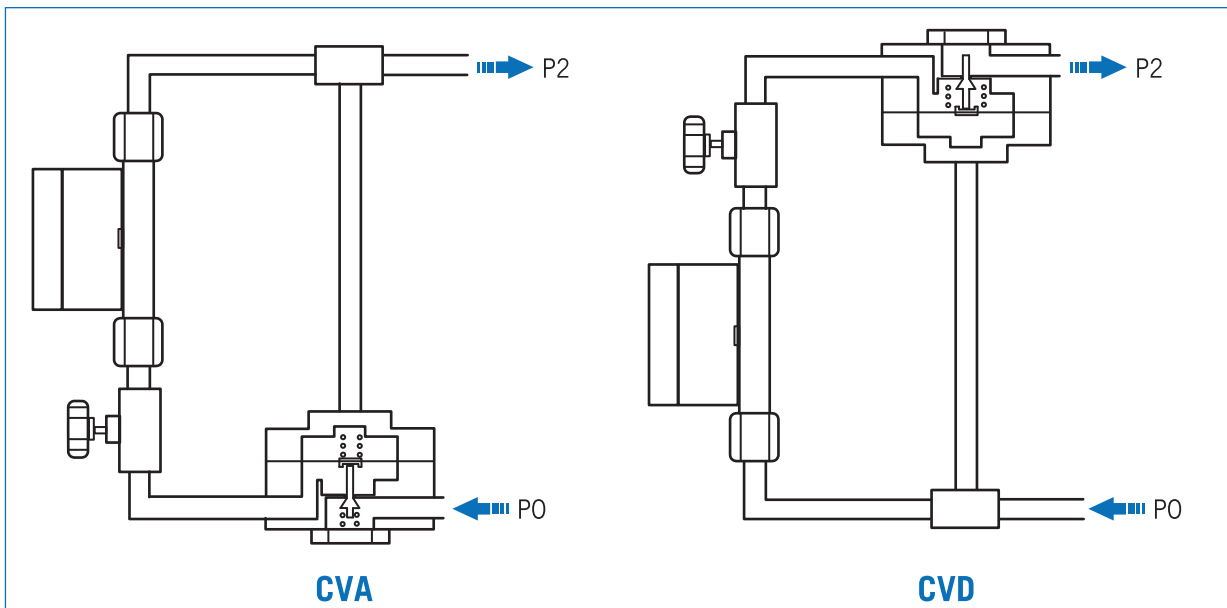
Membrane-Teflon, option on request



Dimension

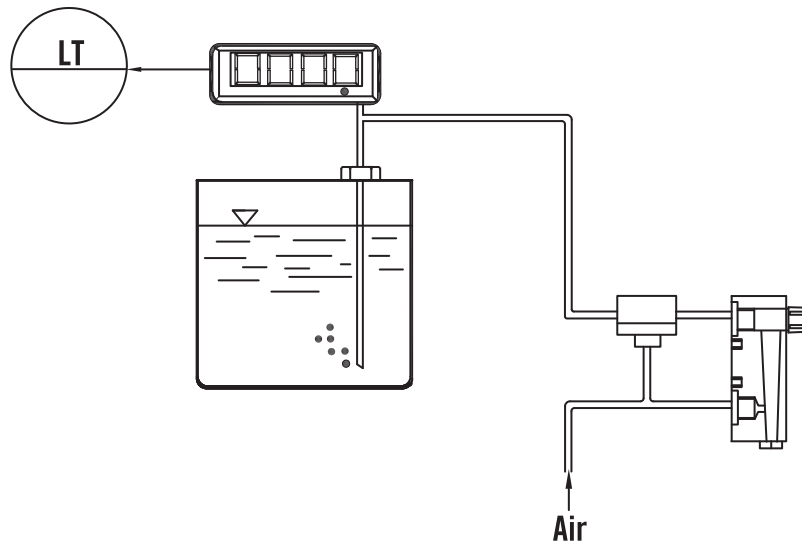


Installed Drawing

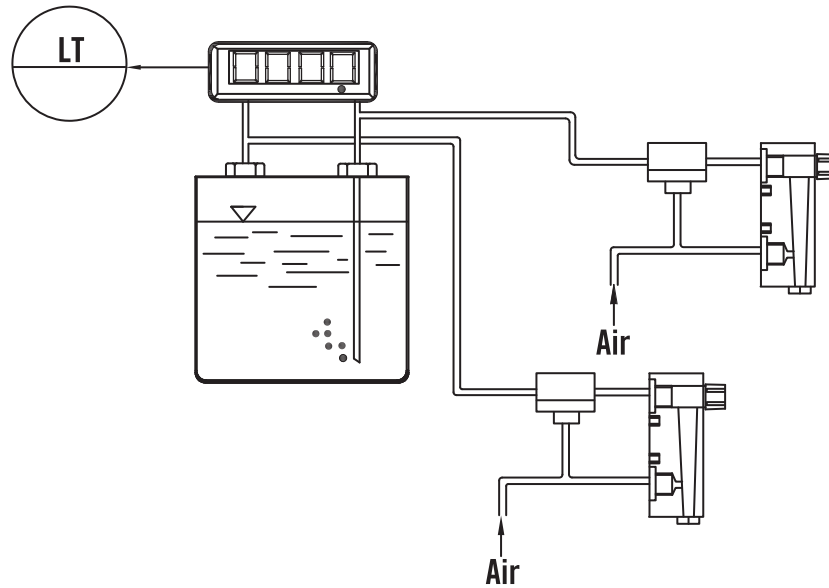


Installed Method

Open Tanks Type Installed Method



Closed Tanks Type Installed Method



Measuring Density Type Installed Method

