

# INTEGRAL ORIFICE ASSEMBLY IOA SERIES

## Technical Data

Used Differential Pressure Transmitter

Various Process Pipe Size: ½", 1" and 1½" available

Process Connection: Bevel welded, flange

Orifice Plate According To: ISO 5167, ASME and AGA-3 standard

Flange Rating: 150LB up to 600LB

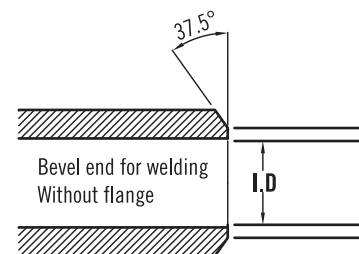
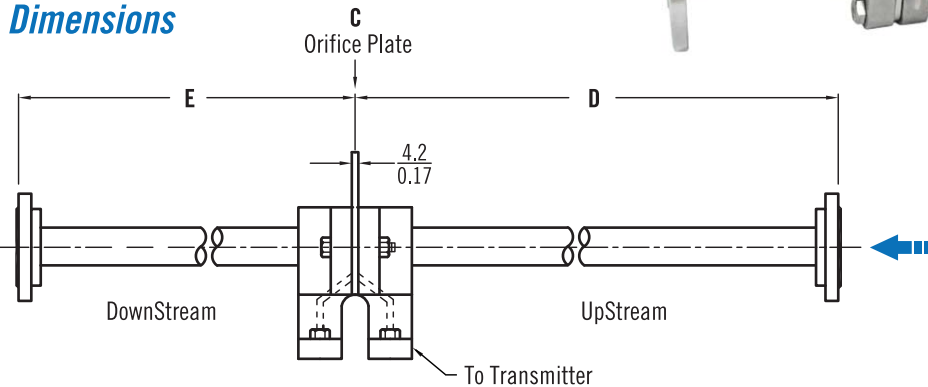
Pressure Limited: Up to 100 kg/cm<sup>2</sup>

Temperature Limited: -40°C~+150°C

Material: SS316 wetted parts & Teflon gasket



## Dimensions



Assembly Line Size	Pipe Schedule	Straight Length Of Piping							
		With Flange				Without Flange			
		D		E		D		E	
		mm	in	mm	in	mm	in	mm	in
3/8	40S 80S	254	10.0	115	4.5	242	9.5	112	4.4
1/2	40S 80S	318	12.5	145	5.7	315	12.4	142	5.6
1	40S 80S	513	20.2	221	8.7	510	20.1	218	8.6
1½	40S 80S	721	28.4	302	11.9	716	28.2	28.2	11.7

\* Orifice plate bore size is by vendor.

## Ordering Information

IOA	Code	Wetted Parts Material
	S	SS316
		<b>Code</b> Gasket Material
	T	Teflon
		<b>Code</b> Line Size
		(A) ¾" (B) ½" (C) 1" (D) 1½"
		<b>Code</b> Process Flange Size
		(A) ½" (B) ¾" (C) 1" (D) 1½" (O) option
		<b>Code</b> Process Connection
		<b>1. Flange Type (Rating)</b> <b>2. Welded Type</b>
		15    ANSI 150#                      B    Bevel End
		30    ANSI 300#
		60    ANSI 600#
		10    PN 10
		16    PN 16
		40    PN 40
		10K   JIS 10K
		20K   JIS 20K
		T    Other: _____
<b>IOA</b>		<b>Complete Ordering Code</b>

\*Please fill in the ordering information and the specification of service condition in the next page.

## Specification of Integral Orifice Flowmeter

Individual Specification		Requirement	Requirement
1	Tag No. / P & ID No.		
2	Line No.		
3	Line Size & Schedule		
4	Pipe Material		
<b>METER</b>			
5	Design Type		
6	Calculation Standard		
7	Process Connection		
8	Plate Material		
9	Beta Ratio d/D		
10	Orifice Bore Diameter (mm)		
11	Vent or Drain Hole		
12	Plate Thickness (mm)		
13	Body Material		
14	Flange Material		
15	Bolts Material		
16	Gasket Material		
<b>ASSEMBLY</b>			
17	Associated Piping Material		
18	Flange Material		
19	3-Valve Manifold Material		
<b>TRANSMITTER</b>			
20	Type		
21	Mounting		
22	Case Material		
23	Enclosure Class		
24	Hazardous Area Classification		
25	Hazard Protection		
26	Power Supply		
27	Signal Output		
28	Conduit Connection		
29	Accuracy		
30	Zero Elevation / Suppression		
31	Output Gauge		
<b>FLUID DATA</b>			
32	Fluid		
33	Fluid Phase / Flow Unit		
34	Flow Range		
35	Flow Nor. / Max.		
36	Temp. Nor. / Max. (°C)		
37	Press. Nor. / Max. (BarG)		
38	Sp. Gr. @operating / @1 ATM 60°F		
39	Molecular Weight		
40	Operating Viscosity (cP)		
41	Oper. Gas Compress. Factor		
42	Max. Allowable DP		
<b>MODEL</b>			
43	Manufacturer		
44	Model No.		

\* Please fill in above block on request.