

FLOW SIGHT GLASS GAUGE

T SERIES – Thread Connection With Spring Paddle

The flow sight glass was designed with spring paddle for easy observation of flowing fluid from any direction.

Technical Data

- Service:**
- Compatible gas and liquid
 - Water treatment system
 - Industrial flow system
 - Double window indication

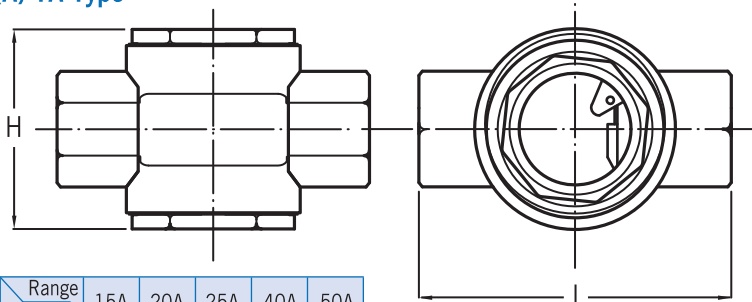
Material: Body–SS316, Paddle–SS316, Spring–SS316
Guge–Glass, Gasket–Teflon, Gore-Tex

Max working temperature: 150°C (Teflon), 300°C (Gore-Tex)

Max working pressure: TA type-10 kg/cm² at 25°C water
TB type-15 kg/cm² at 25°C water

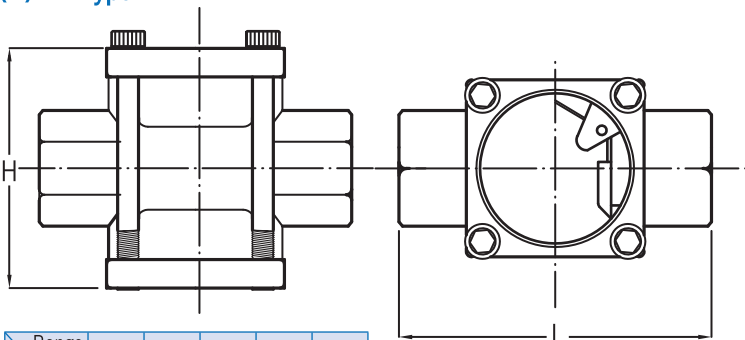
Dimension

(A) TA Type



Range Size	15A	20A	25A	40A	50A
L	114	114	114	130	150
H	72	72	72	120	136

(B) TB Type



Range Size	15A	20A	25A	40A	50A
L	114	114	114	130	150
H	72	72	72	115	129

unit=mm

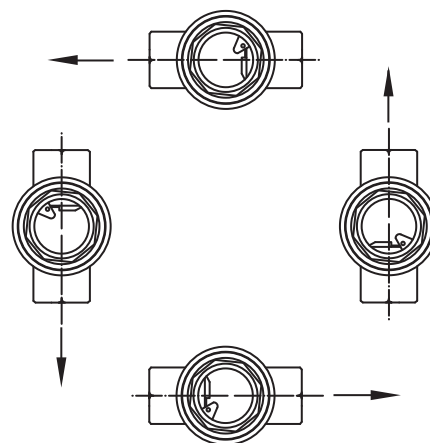


TA TYPE



TB TYPE

Mounting Position



Ordering Information

TA/TB	Code	Model
↓	S	Wetted parts are SS316
	↓	Code Size
		(1) 15A (2) 20A (3) 25A (4) 40A (5) 50A
	↓	Code Connection Thread
		(1) NPT (2) PF (3) Option
↓	Code Gasket Material	
	(1) Teflon (2) Gore-Tex	
↓		Complete Ordering Code